

CONTACT US



WeChat



WeChat Channel



Facebook

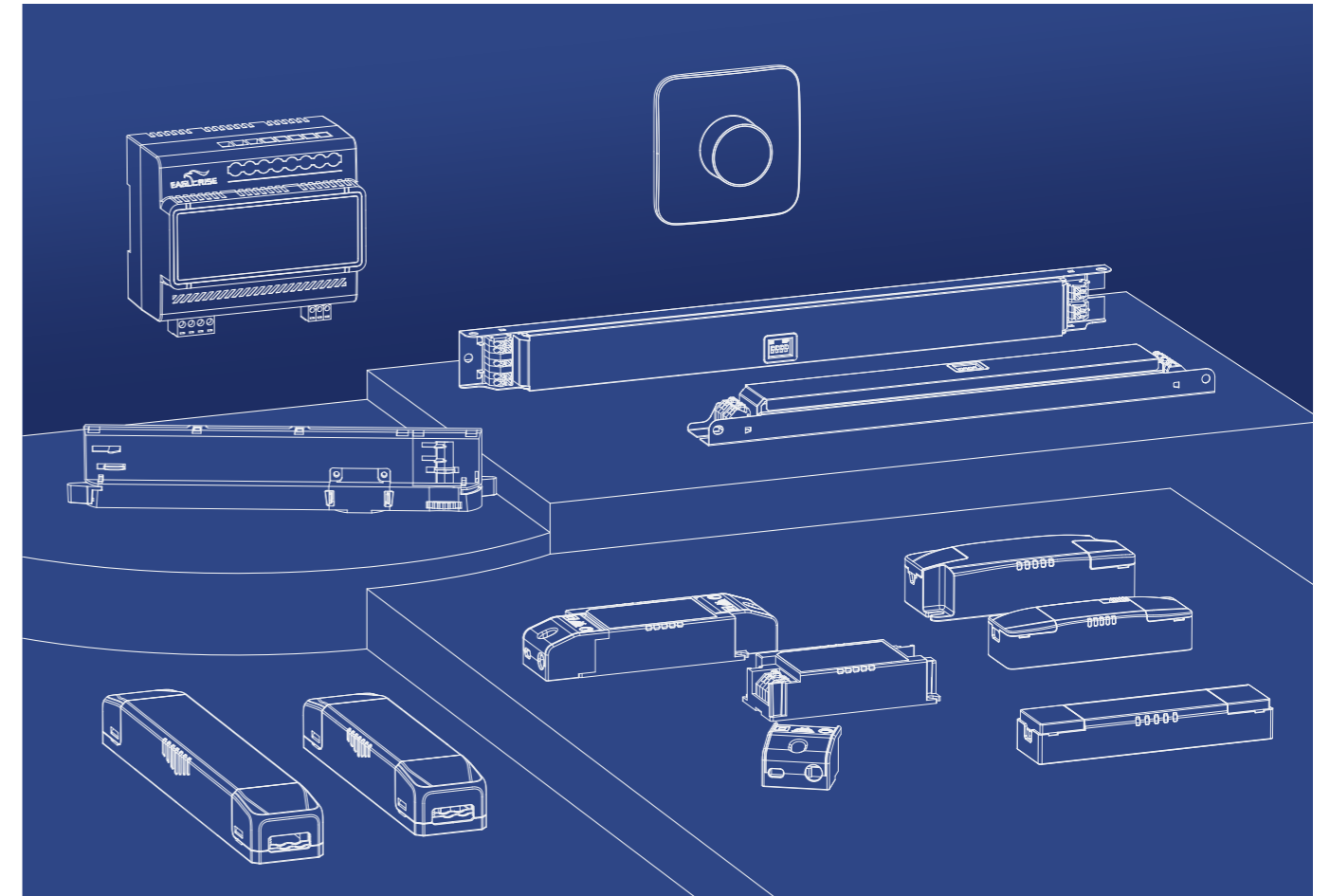


LinkedIn

Address:
No.4, Huanzhen East Road, Beijiao Town, Shunde District, Foshan, Guangdong, China

Email:
Sales@eaglerise.com

Web:
Lighting.eaglerise.com



INDOOR LED DRIVER CATALOGUE

CONTENTS

Company Introduction

About Us	1-2
Product History	3
Successful Cases	4
Company Strength	5-6
Wiring Diagram	7
Naming Rules	8
Product Overview	9-10
Product Selection Table	11-26

Product Family

01	LINEAR	
	Non-Isolated DALI	28-30
	Non-Isolated ON/OFF	31-32
	Isolated DALI	33-34
	Isolated ON/OFF	35-37
02	COMPACT	
	D4i	39
	DALI-2	40
	0-10V	42
	Triac	43-47
	Wireless	48
	High eff.	49
	Silm	50
	CCT	51-52
	Hot sale	53-55
	High PF	56-58
	Wide Voltage	59-60
Round	61-64	
Lead wire	65-68	
03	MINI	
	DALI+0-10V	70
	DALI-DT8	71
	DALI-2	72-77
	0-10V	78
Wireless	79	
ON/OFF	80-83	
04	TRACK	
	DALI-DT8	85
	DALI-2	86-87
	CASAMBI	88
	ON/OFF	89-93
Single Phase	94	
05	CV	
	DALI 0-10V	96
	DALI-DT8	97
	DALI-2	98-99
	0-10V	100
	ON/OFF	101-103
	Ultrathin	104-105
	Lead wire	106
IP67	107	
Power Switch Supply	108-109	
06	North American	
	Triac	111
	0-10V	112
07	Accessories	
	DALI Accessories	114-117
	Optional Accessories	118-120

ABOUT EAGLERISE



1999

Established in Foshan

2017

Listed in Shenzhen

136k m²

Company Area 136K m²

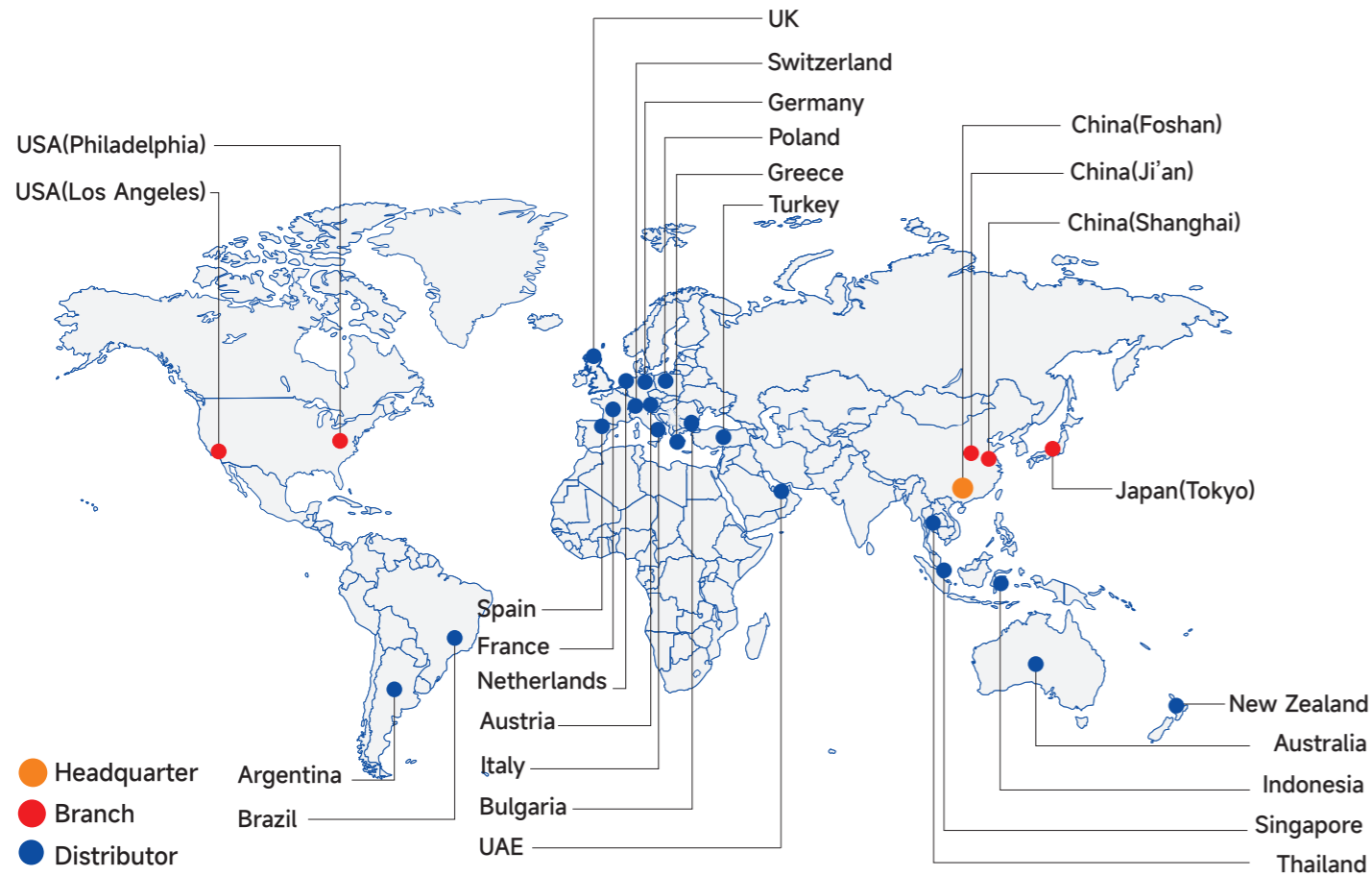
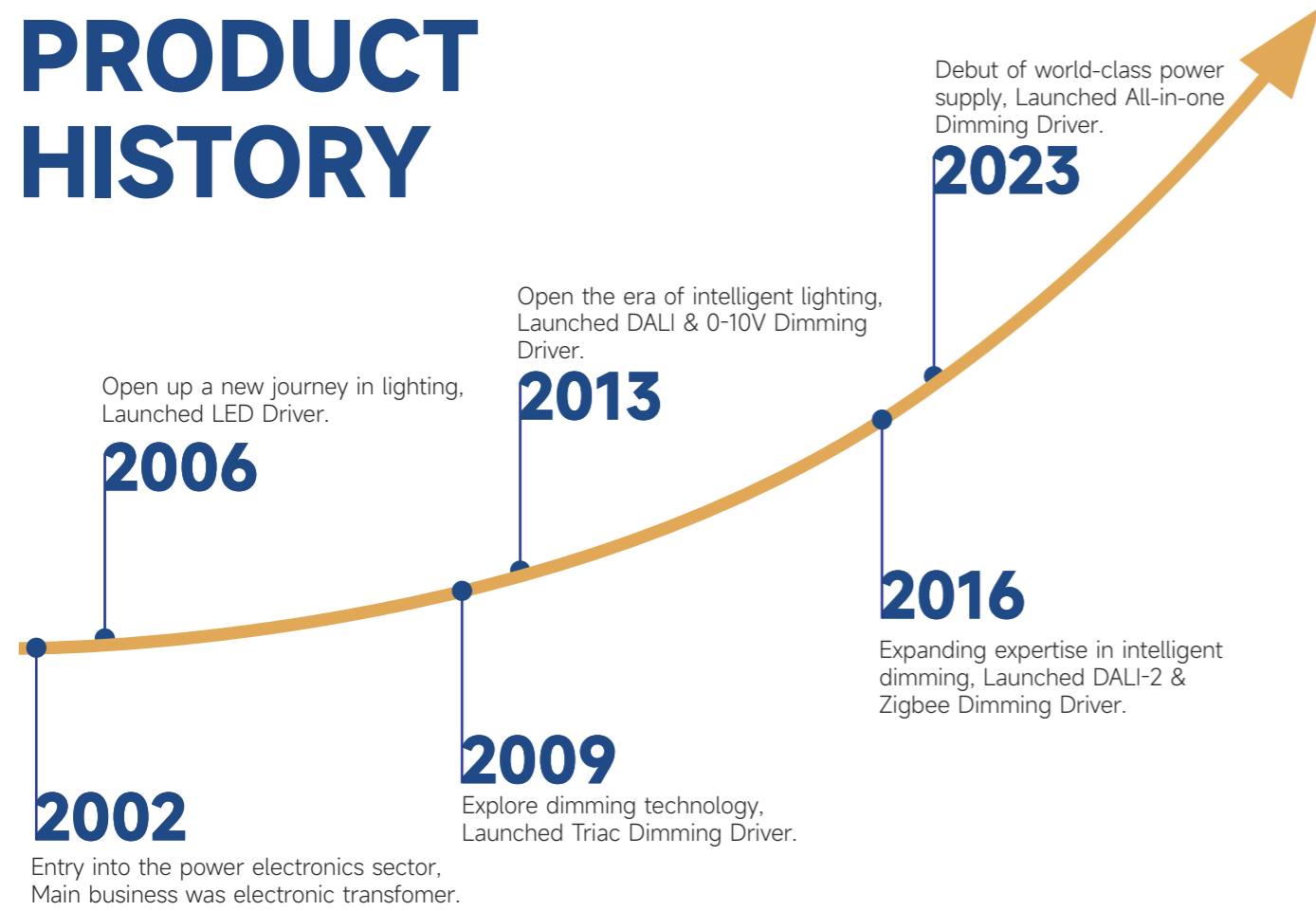
300 +

Patents & applications

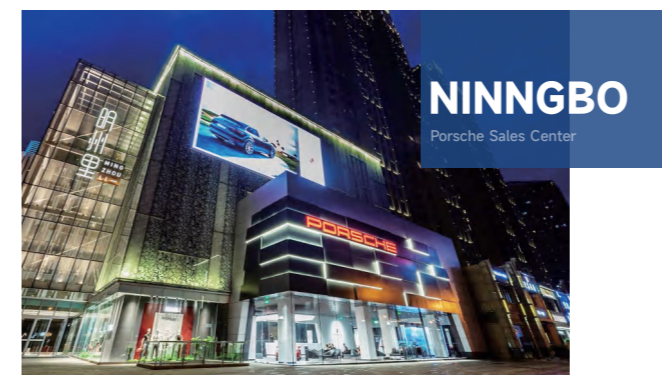
Eaglerise Electric & Electronic (China) Co., Ltd was founded in 1999 and headquartered in Foshan. It was officially listed in 2017 with the stock code 002922. Our Lighting Business Unit was established in 2001, focusing on the research and development, manufacturing, sales, and service of LED driver.

There are two manufacturing bases in Shunde, Foshan and Ji'an, Jiangxi, 136000 sqm in total. With strong R&D and Digital manufacturing plants, our products cover lighting scenarios such as home lighting, commercial lighting, hotel lighting, and outdoor lighting, to provide global customers with more efficient, intelligent, and green LED driver and lighting solutions.

PRODUCT HISTORY



SUCCESSFUL CASES



COMPANY STRENGTH

 **26**
Years of experience

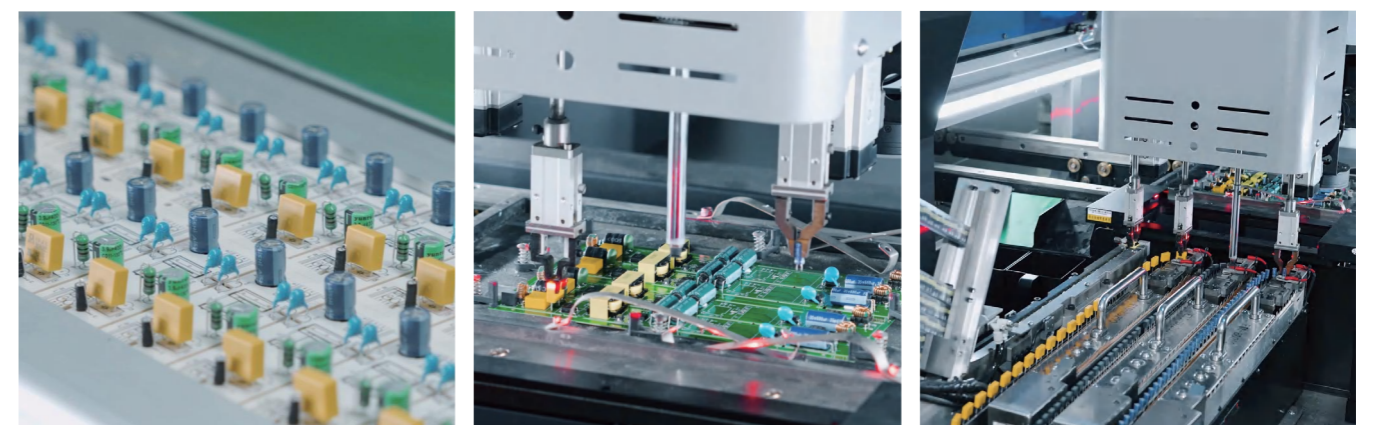
 **300+**
Patents & applications

 **100+**
Served countries & regions

 **100million(pcs)**
Annual capacity

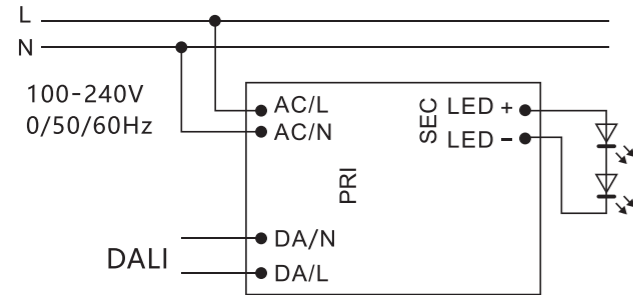
 **136000m²**
Company area

 **1200+**
Skilled employees

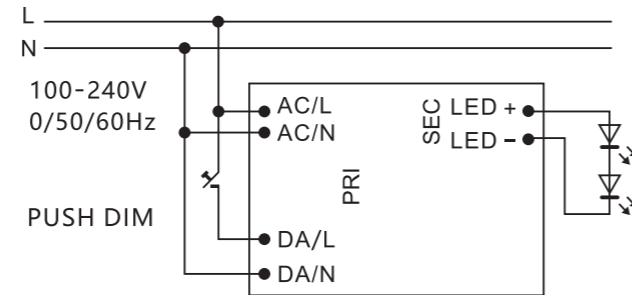


WIRING DIAGRAM

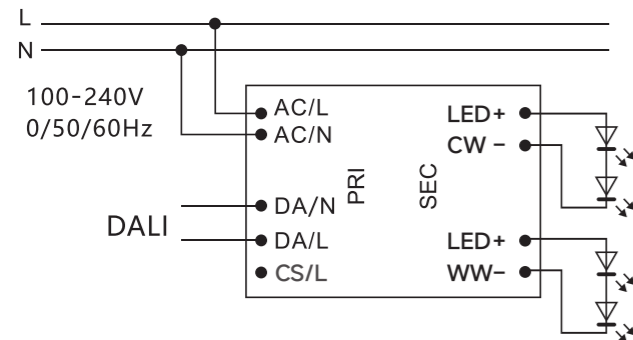
DALI dimming application



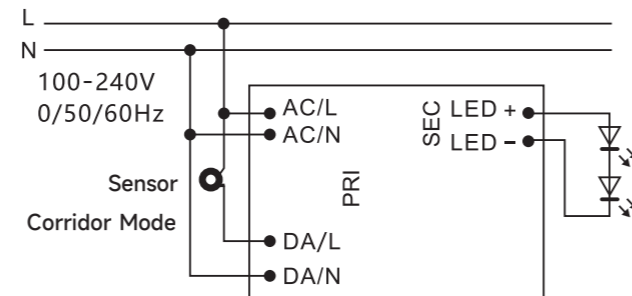
Push dimming application



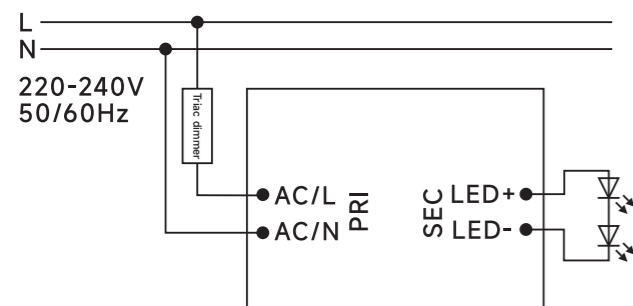
DALI-2 DT8 dimming application



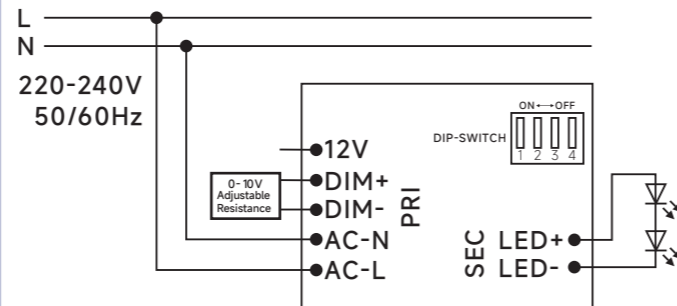
Corridor Mode dimming application



Triac dimming application



0-10V dimming application

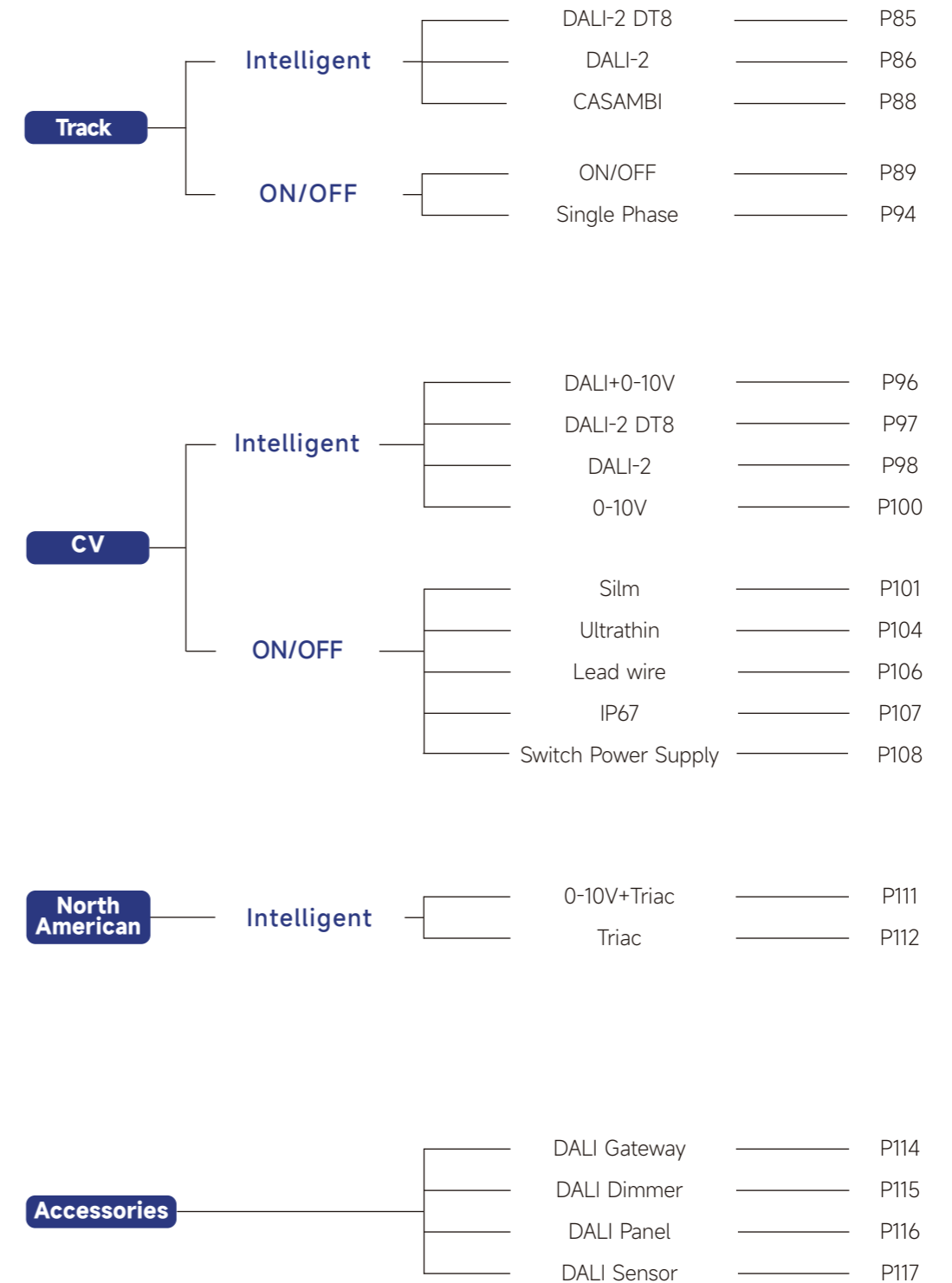
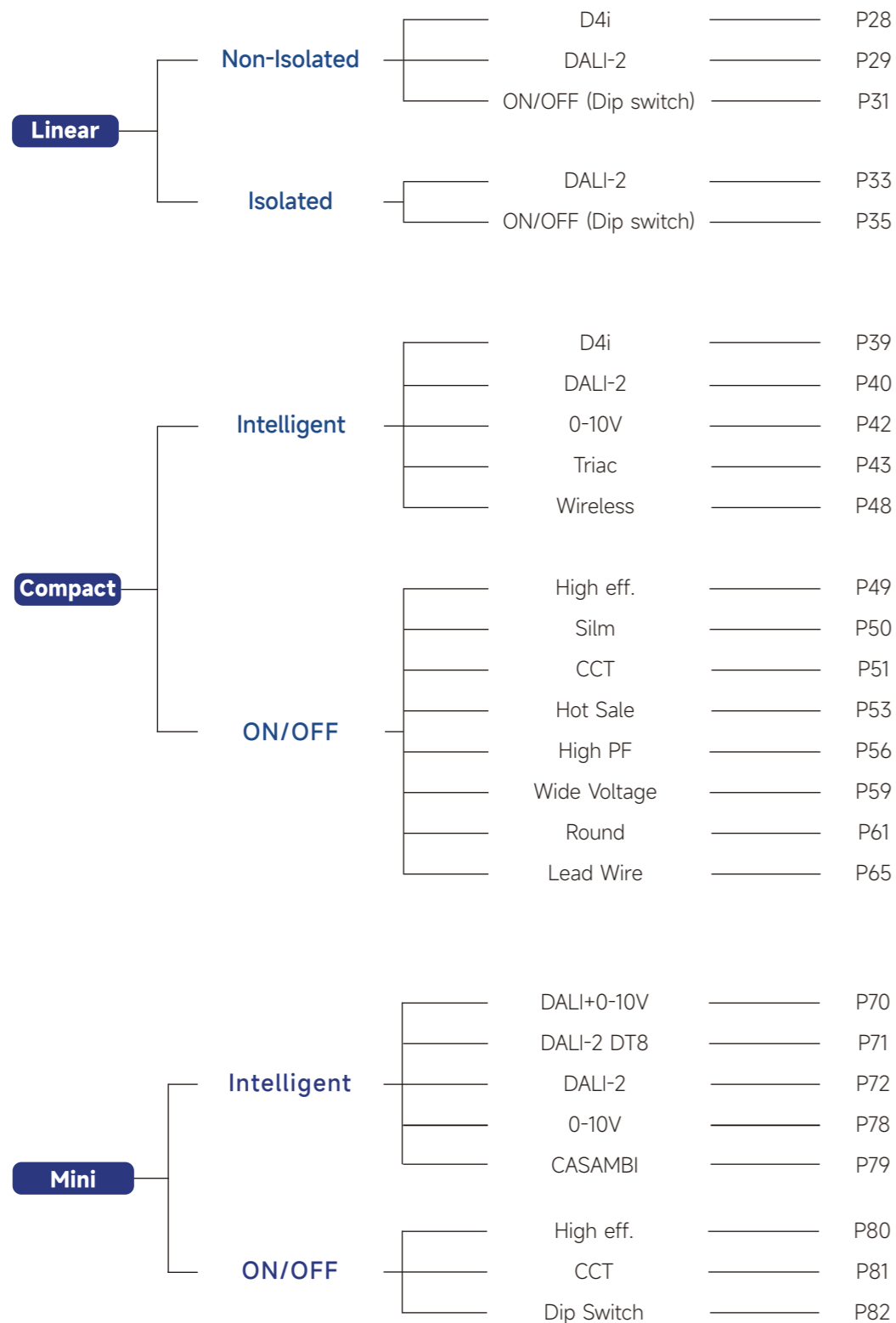


NAMING RULES

FLS-30-700 IP67 N-S DALI-2 LI1 EXC S -YX

Adjustable or not	F Output current adjustable	Customer Abbreviation	Custom products made for special customers
Shape	C Circle L Long Rectangles (2.0≤L:W<4.0) S Square Plastic (L:W<2.0) M Metal Rectangles N Bare board, no shell D Intergrated U Ultrathin (height less than 18mm) R Oval, horseshoe shape	Change Appearance (Optional)	S Appearance size reduced, small/silm
Input Voltage	S 220-240 VAC H 100-240 VAC E 100-120 VAC X 100-277 VAC N USA 120 VAC W USA 120-277 VAC Z USA 120-347 VAC	Version (optional)	E Basic version EXC Basic version, 0.9 PF ADV Advanced version PRO Professional version
Output Power	9 9W 30 30W 1200 1200W	Generation Number (optional)	1 First generation 2 Second generation
Output Current/ Voltage	C.C: 120--120mA / 1050--1050mA C.V : 5--5V / 12--12V / 24-24V	Output Adjustment Mode Terminal & Cable	Output current not adjustable: I Terminal/ Independent X Terminal/ Built-in B Cable/ Built-in R 2 slots Output current adjustable: A Dip switch/ Terminal/ Independent S Dip switch/ 2 slots N NFC/ Terminal/ Built-in D Dip switch/ Terminal/ Built-in
IP Grade (optional)	IP20 Defaulty empty IP65 IP65 IP67 IP67	Power Factor & Flicker	L 0.9PF & flicker-free M 0.8PF & flicker-free S 0.5PF & flicker-free R 0.9PF & flicker
[N-S] Non-isolation(optional)		Dimming Mode (optional)	Blue Bluetooth Dimming CSB Casambi Dimming Zigb Zigbee Dimming PWM PWM Dimming RF RF Dimming TRIAC TRIAC Dimming DT8 DALI Dimming; color temperature is adjustable CCT Color temperature is adjustable
Dimming Mode (optional)	DALI-2 DALI Dimming 0-10 0-10V Dimming 1-10 (European) 1-10 Dimming		

PRODUCT OVERVIEW



LINEAR

Non-Isolated - D4i

Model	Power	Input Voltage	Output Current	Output Voltage	Efficiency	Power Factor	Size (L*W*H)
FMS-35-350 N-S DALI-2 D4i LN	35W	220-240VAC	80-350mA	50-220V	92%	0.95	280*30*21mm
FMS-75-500 N-S DALI-2 D4i LN	75W	220-240VAC	150-500mA	50-220V	93%	0.95	360*30*21mm
FMS-100-1050 N-S DALI-2 D4i LN	100W	220-240VAC	300-1050mA	50-220V	94%	0.95	360*30*21mm
FMS-150-1050 N-S DALI-2 D4i LN	150W	220-240VAC	300-1050mA	50-220V	95%	0.95	360*30*21mm



Page 28

Non-Isolated - DALI-2

Model	Power	Input Voltage	Output Current	Output Voltage	Efficiency	Power Factor	Size (L*W*H)
FMS-35-350 N-S DALI-2 LD	35W	220-240VAC	80-350mA	50-220V	92%	0.95	280*30*21mm
FMS-75-500 N-S DALI-2 LD	75W	220-240VAC	150-500mA	50-220V	93%	0.95	280*30*21mm
FMS-100-1050 N-S DALI-2 LD	100W	220-240VAC	300-1050mA	50-220V	94%	0.95	280*30*21mm
FMS-150-1050 N-S DALI-2 LD	150W	220-240VAC	300-1050mA	50-220V	95%	0.95	280*30*21mm



Page 29

Model	Power	Input Voltage	Output Current	Output Voltage	Efficiency	Power Factor	Size (L*W*H)
FMS-35-350 N-S DALI-2 LN EXC	35W	220-240VAC	80-350mA	50-220V	92%	0.95	280*30*21mm
FMS-75-500 N-S DALI-2 LN EXC	75W	220-240VAC	150-500mA	50-220V	93%	0.95	280*30*21mm
FMS-100-1050 N-S DALI-2 LN EXC	100W	220-240VAC	300-1050mA	50-220V	94%	0.95	280*30*21mm
FMS-150-1050 N-S DALI-2 LN EXC	150W	220-240VAC	300-1050mA	50-220V	95%	0.95	280*30*21mm



Page 30

Non-Isolated - ON/OFF (Dip Switch)

Model	Power	Input Voltage	Output Current	Output Voltage	Efficiency	Power Factor	Size (L*W*H)
FMS-20-350 N-S LD2 E	20W	220-240VAC	200-350mA	25-100V	86%	0.95	168*30*21mm
FMS-40-350 N-S LD2 E	40W	220-240VAC	200-350mA	40-200V	90%	0.95	168*30*21mm
FMS-60-350 N-S LD2 E	60W	220-240VAC	200-350mA	70-200V	92%	0.95	190*30*21mm
FMS-80-350 N-S LD2 E	80W	220-240VAC	200-350mA	40-220V	94%	0.95	210*30*21mm



Page 31

Model	Power	Input Voltage	Output Current	Output Voltage	Efficiency	Power Factor	Size (L*W*H)
FMS-20-350 N-S LD1 E	20W	220-240VAC	200-350mA	25-100V	86%	0.9	168*30*21mm
FMS-20-350 N-S CCT LD EXC	20W	220-240VAC	200-350mA	25-100V	86%	0.9	168*30*21mm
FMS-40-350 N-S LD1 E	40W	220-240VAC	200-350mA	40-200V	90%	0.9	168*30*21mm
FMS-40-350 N-S CCT LD EXC	40W	220-240VAC	200-350mA	40-200V	90%	0.95	168*30*21mm
FMS-60-350 N-S LD1 E	60W	220-240VAC	200-350mA	70-200V	92%	0.95	190*30*21mm
FMS-60-350 N-S CCT LD EXC	60W	220-240VAC	200-350mA	70-200V	92%	0.95	190*30*21mm
FMS-80-350 N-S LD1 E	80W	220-240VAC	200-350mA	40-220V	94%	0.95	210*30*21mm
FMS-80-350 N-S CCT LD EXC	80W	220-240VAC	200-350mA	40-220V	94%	0.95	210*30*21mm
FMS-80-550 N-S LD1 E	80W	220-240VAC	350-550mA	40-216V	93%	0.95	210*30*21mm
FMS-80-550 N-S CCT LD EXC	80W	220-240VAC	350-550mA	40-216V	93%	0.95	210*30*21mm
FMS-100-500 N-S LD1 E	100W	220-240VAC	350-500mA	40-220V	95%	0.95	280*30*21mm
FMS-100-500 N-S CCT LD EXC	100W	220-240VAC	350-500mA	40-220V	95%	0.95	280*30*21mm
FMS-150-700 N-S LD1 E	150W	220-240VAC	550-700mA	40-220V	95%	0.95	280*30*21mm
FMS-150-700 N-S CCT LD EXC	150W	220-240VAC	550-700mA	40-220V	95%	0.95	280*30*21mm



Page 32

Isolated - DALI+0-10V

Model	Power	Input Voltage	Output Current	Output Voltage	Efficiency	Power Factor	Size (L*W*H)
FMX-35-700 DALI-2 0-10 LD	35W	120-277VAC	150-700mA	9-54V	90%	0.95	280*30*21mm
FMX-50-1050 DALI-2 0-10 LD	50W	120-277VAC	300-1050mA	9-54V	90%	0.95	280*30*21mm
FMX-85-2100 DALI-2 0-10 LD	85W	120-277VAC	700-2100mA	9-54V	90%	0.95	360*30*21mm



Page 33

LINEAR

Isolated - DALI-2

Model	Power	Input Voltage	Output Current	Output Voltage	Efficiency	Power Factor	Size (L*W*H)
FMS-35-700 DALI-2 LD	35W	220-240VAC	100-700mA	15-51V	90%	0.95	280*30*21mm
FMS-35-700 DALI-2 LN	35W	220-240VAC	150-700mA	15-51V	90%	0.95	280*30*21mm
FMS-50-1050 DALI-2 LD	50W	220-240VAC	350-1050mA	15-51V	90%	0.95	280*30*21mm
FMS-50-1050 DALI-2 LN	50W	220-240VAC	350-1050mA	15-51V	90%	0.95	280*30*21mm
FMS-75-1800 DALI-2 LD	75W	220-240VAC	1050-1800mA	15-51V	90%	0.95	280*30*21mm
FMS-75-1800 DALI-2 LN	75W	220-240VAC	1050-1800mA	15-51V	90%	0.95	280*30*21mm



Page 34

Isolated - ON/OFF (Dip Switch)

Model	Power	Input Voltage	Output Current	Output Voltage	Efficiency	Power Factor	Size (L*W*H)
FMS-21-500 LD EXC	21W	220-240VAC	350-500mA	24-42V	88%	0.95	210*30*21mm
FMS-30-750 LD EXC	30W	220-240VAC	600-750mA	24-42V	90%	0.95	210*30*21mm
FMS-42-1050 LD EXC	42W	220-240VAC	700-1050mA	24-42V	90%	0.95	210*30*21mm
FMS-60-1500 LD1 EXC	60W	220-240VAC	1150-1500mA	24-42V	90%	0.95	280*30*21mm
FMS-80-2000 LD1 EXC	80W	220-240VAC	1500-2000mA	24-42V	91%	0.95	280*30*21mm



Page 35

Model	Power	Input Voltage	Output Current	Output Voltage	Efficiency	Power Factor	Size (L*W*H)
FMS-20-350 LD EXC	20W	220-240VAC	200-350mA	15-51V	88%	0.95	210*30*21mm
FMS-24-500 LD EXC	24W	220-240VAC	350-500mA	15-51V	88%	0.95	210*30*21mm
FMS-35-650 LD EXC	35W	220-240VAC	500-650mA	15-51V	90%	0.95	210*30*21mm
FMS-40-1050 LD EXC	40W	220-240VAC	700-1050mA	15-51V	90%	0.95	210*30*21mm
FMS-60-1200 LD EXC	60W	220-240VAC	850-1200mA	15-51V	91%	0.95	280*30*21mm
FMS-60-1500 LD EXC	60W	220-240VAC	1150-1500mA	15-51V	90%	0.95	280*30*21mm
FMS-75-1500 LD EXC	75W	220-240VAC	1150-1500mA	15-51V	91%	0.95	280*30*21mm
FMS-80-2000 LD EXC	80W	220-240VAC	1500-2000mA	15-51V	91%	0.95	280*30*21mm



Page 36

Model	Power	Input Voltage	Output Current	Output Voltage	Efficiency	Power Factor	Size (L*W*H)
FMX-50-1050 LD	50W	120-277VAC	150-1050mA	9-54V	90%	0.95	280*30*21mm
FMX-85-2100 LD	85W	120-277VAC	700-2100mA	9-54V	90%	0.95	280*30*21mm



Page 37

COMPACT

Intelligent - D4i

Model	Power	Input Voltage	Output Current	Output Voltage	Efficiency	Power Factor	Size (L*W*H)
FSS-24-1050 DALI-2 D4i LN	24W	220-240VAC	200-1050mA	19-39V	86%	0.95	123*77*31mm
FSS-40-1050 DALI-2 D4i LN	40W	220-240VAC	200-1050mA	22-77V	91%	0.95	123*77*31mm
FSS-75-1050 DALI-2 D4i LN	75W	220-240VAC	200-1050mA	25-107V	91%	0.95	133*77*31mm
FSS-110-1050 DALI-2 D4i LN	110W	220-240VAC	200-1050mA	48-157V	92%	0.95	150*90*37.5mm
FSS-200-1050 DALI-2 D4i LN	200W	220-240VAC	200-1050mA	169-355V	93%	0.95	170*100*40mm



P39

Intelligent - DALI-2

Model	Power	Input Voltage	Output Current	Output Voltage	Efficiency	Power Factor	Size (L*W*H)
FLS-8-700 DALI-2 LN ADV S	8W	220-240VAC	150-700mA	6-42V	84%	0.9	115*25*19mm



P40

COMPACT

Intelligent - DALI-2



Page 41

Model	Power	Input Voltage	Output Current	Output Voltage	Efficiency	Power Factor	Size (L*W*H)
FLS-8-500 DALI-2 LA ADV	8W	220-240VAC	150-500mA	2.5-49V	84%	0.95	115*30*20.5mm
FLS-12-700 DALI-2 LA ADV	12W	220-240VAC	500-700mA	2.5-24V	84%	0.95	115*30*20.5mm
FLS-16-450 DALI-2 LA ADV	16W	220-240VAC	100-450mA	2.5-42V	85%	0.95	115*30*20.5mm

Intelligent - 0-10V



Page 42

Model	Power	Input Voltage	Output Current	Output Voltage	Efficiency	Power Factor	Size (L*W*H)
FLS-8-220 0-10 LA ADV	8W	220-240VAC	120-220mA	15-42V	83%	0.95	115*30*20.5mm
FLS-12-330 0-10 LA ADV	12W	220-240VAC	250-330mA	15-42V	84%	0.95	115*30*20.5mm
FLS-12-350 0-10 LA ADV	12W	220-240VAC	200-350mA	15-42V	84%	0.95	115*30*20.5mm

Intelligent - TRIAC



Page 43

Model	Power	Input Voltage	Output Current	Output Voltage	Efficiency	Power Factor	Size (L*W*H)
LS-8-120 TRIAC LI EXC	8W	220-240VAC	120mA	27-40V	75%	0.9	115*30*20.5mm
LS-8-200 TRIAC LI EXC	8W	220-240VAC	200mA	27-40V	80%	0.9	115*30*20.5mm
LS-8-220 TRIAC LI EXC	8W	220-240VAC	220mA	27-40V	83%	0.9	115*30*20.5mm
LS-12-250 TRIAC LI EXC	12W	220-240VAC	250mA	27-40V	83%	0.9	115*30*20.5mm
LS-12-300 TRIAC LI EXC	12W	220-240VAC	300mA	27-40V	83%	0.9	115*30*20.5mm
LS-12-350 TRIAC LI EXC	12W	220-240VAC	350mA	27-40V	83%	0.9	115*30*20.5mm



Page 44

CS-8-100 TRIAC LI	8W	220-240VAC	100mA	28-40V	78%	0.9	Φ56*25.5mm
CS-8-120 TRIAC LI	8W	220-240VAC	120mA	28-40V	80%	0.9	Φ56*25.5mm
CS-8-150 TRIAC LI	8W	220-240VAC	150mA	28-40V	80%	0.95	Φ56*25.5mm
CS-8-180 TRIAC LI	8W	220-240VAC	180mA	28-40V	80%	0.95	Φ56*25.5mm
CS-8-200 TRIAC LI	8W	220-240VAC	200mA	28-40V	80%	0.95	Φ56*25.5mm
CS-15-250 TRIAC LI	15W	220-240VAC	250mA	28-40V	82%	0.9	Φ65*25mm
CS-15-280 TRIAC LI	15W	220-240VAC	280mA	28-40V	82%	0.9	Φ65*25mm
CS-15-300 TRIAC LI	15W	220-240VAC	300mA	28-40V	82%	0.95	Φ65*25mm
CS-15-350 TRIAC LI	15W	220-240VAC	350mA	28-40V	82%	0.95	Φ65*25mm
CS-22-400...550 TRIAC LI	22W	220-240VAC	400...550mA	28-40V	85%	0.95	Φ65*25mm
CS-36-600...900 TRIAC LI	36W	220-240VAC	600...900mA	28-40V	85%	0.95	Φ75*26mm



Page 45

LS-8-100 TRIAC LI I	8W	220-240VAC	100mA	28-40V	78%	0.9	92*36*25mm
LS-8-120 TRIAC LI I	8W	220-240VAC	120mA	28-40V	80%	0.9	92*36*25mm
LS-8-150 TRIAC LI I	8W	220-240VAC	150mA	28-40V	80%	0.95	92*36*25mm
LS-8-180 TRIAC LI I	8W	220-240VAC	180mA	28-40V	80%	0.95	92*36*25mm
LS-8-200 TRIAC LI I	8W	220-240VAC	200mA	28-40V	80%	0.95	92*36*25mm
LS-8-220 TRIAC LI I	8W	220-240VAC	220mA	28-40V	80%	0.95	92*36*25mm
LS-8-250 TRIAC LI I	8W	220-240VAC	250mA	18-24V	80%	0.95	92*36*25mm
LS-8-300 TRIAC LI I	8W	220-240VAC	300mA	18-24V	80%	0.95	92*36*25mm
LS-8-350 TRIAC LI I	8W	220-240VAC	350mA	18-24V	80%	0.95	92*36*25mm
LS-8-700 TRIAC LI I	8W	220-240VAC	700mA	8-11.4V	76%	0.95	92*36*25mm

COMPACT

Intelligent - TRIAC



Page 46

Model	Power	Input Voltage	Output Current	Output Voltage	Efficiency	Power Factor	Size (L*W*H)
LS-15-250...350 TRIAC LI I	15W	220-240VAC	250...350mA	28-40V	82%	0.95	102*38.2*25mm
LS-15-400 TRIAC LI I	15W	220-240VAC	400mA	25-38V	82%	0.95	102*38.2*25mm
LS-15-450 TRIAC LI I	15W	220-240VAC	450mA	22-33V	82%	0.95	102*38.2*25mm
LS-15-500 TRIAC LI I	15W	220-240VAC	500mA	20-30V	82%	0.95	102*38.2*25mm
LS-15-550 TRIAC LI I	15W	220-240VAC	550mA	17-27V	82%	0.95	102*38.2*25mm
LS-15-600 TRIAC LI I	15W	220-240VAC	600mA	16-25V	82%	0.95	102*38.2*25mm
LS-15-650 TRIAC LI I	15W	220-240VAC	650mA	16-23V	82%	0.95	102*38.2*25mm
LS-15-700 TRIAC LI I	15W	220-240VAC	700mA	14-22V	82%	0.95	102*38.2*25mm
LS-20-300 TRIAC LI I	20W	220-240VAC	300mA	50-68V	85%	0.95	102*38.2*25mm
LS-20-350 TRIAC LI I	20W	220-240VAC	350mA	40-60V	85%	0.95	102*38.2*25mm
LS-20-400...500 TRIAC LI I	20W	220-240VAC	400...500mA	28-40V	85%	0.95	102*38.2*25mm
LS-20-550 TRIAC LI I	20W	220-240VAC	550mA	28-38V	85%	0.95	102*38.2*25mm
LS-20-600 TRIAC LI I	20W	220-240VAC	600mA	22-34V	85%	0.95	102*38.2*25mm
LS-20-650...700 TRIAC LI I	20W	220-240VAC	650...700mA	20-30V	85%	0.95	102*38.2*25mm



Page 47

LS-30-600 TRIAC LI I	30W	220-240VAC	600mA	35-50V	86%	0.95	135*41*25mm
LS-30-650 TRIAC LI I	30W	220-240VAC	650mA	30-45V	86%	0.95	135*41*25mm
LS-30-700 TRIAC LI I	30W	220-240VAC	700mA	28-42V	86%	0.95	135*41*25mm
LS-30-750 TRIAC LI I	30W	220-240VAC	750mA	28-40V	86%	0.95	135*41*25mm
LS-30-800 TRIAC LI I	30W	220-240VAC	800mA	28-40V	86%	0.95	135*41*25mm
LS-30-850 TRIAC LI I	30W	220-240VAC	850mA	24-37V	86%	0.95	135*41*25mm
LS-30-900 TRIAC LI I	30W	220-240VAC	900mA	22-34V	86%	0.95	135*41*25mm
LS-40-700 TRIAC LI I	40W	220-240VAC	700mA	36-54V	87%	0.95	135*41*25mm
LS-40-750 TRIAC LI I	40W	220-240VAC	750mA	35-53V	87%	0.95	135*41*25mm
LS-40-800 TRIAC LI I	40W	220-240VAC	800mA	33-50V	87%	0.95	135*41*25mm
LS-40-850 TRIAC LI I	40W	220-240VAC	850mA	31-47V	87%	0.95	135*41*25mm
LS-40-900 TRIAC LI I	40W	220-240VAC	900mA	27-42V	87%	0.95	135*41*25mm
LS-40-950 TRIAC LI I	40W	220-240VAC	950mA	28-40V	87%	0.95	135*41*25mm
LS-40-1000 TRIAC LI I	40W	220-240VAC	1000mA	28-40V	87%	0.95	135*41*25mm
LS-40-1050 TRIAC LI I	40W	220-240VAC	1050mA	28-40V	87%	0.95	135*41*25mm

Intelligent - Wireless



Page 48

Model	Power	Input Voltage	Output Current	Output Voltage	Efficiency	Power Factor	Size (L*W*H)
LS-8-100 Blue SI-MJ	8W	220-240VAC	100mA	30-40V	75%	0.5	115*30*20.5mm
LS-8-120 Blue SI-MJ	8W	220-240VAC	120mA	30-40V	75%	0.5	115*30*20.5mm
LS-8-160 Blue SI-MJ	8W	220-240VAC	160mA	30-40V	80%	0.5	115*30*20.5mm
LS-8-180 Blue SI-MJ	8W	220-240VAC	180mA	30-40V	80%	0.5	115*30*20.5mm
LS-8-200 Blue SI-MJ	8W	220-240VAC	200mA	30-40V	80%	0.5	115*30*20.5mm
LS-8-235 Blue SI-MJ	8W	220-240VAC	235mA	30-40V	80%	0.5	115*30*20.5mm
LS-12-250 Blue SI-MJ	12W	220-240VAC	250mA	30-40V	84%	0.5	115*30*20.5mm
LS-12-280 Blue SI-MJ	12W	220-240VAC	280mA	30-40V	84%	0.5	115*30*20.5mm
LS-12-300 Blue SI-MJ	12W	220-240VAC	300mA	30-40V	84%	0.5	115*30*20.5mm
LS-12-350 Blue SI-MJ	12W	220-240VAC	350mA	30-40V	85%	0.5	115*30*20.5mm

COMPACT

ON/OFF - High Eff.

Model	Power	Input Voltage	Output Current	Output Voltage	Efficiency	Power Factor	Size (L*W*H)
FLS-15-350 LD1 ADV	15W	220-240VAC	200-350mA	28-40V	92%	0.95	116*41.2*26mm
FLS-21-500 LD1 ADV	21W	220-240VAC	350-500mA	28-40V	93%	0.95	116*41.2*26mm
FLS-30-750 LD1 ADV	30W	220-240VAC	600-750mA	28-40V	94%	0.95	116*41.2*26mm
FLS-40-1050 LD1 ADV	40W	220-240VAC	700-1050mA	28-40V	94%	0.95	116*41.2*26mm



Page 49

ON/OFF - Silm

Model	Power	Input Voltage	Output Current	Output Voltage	Efficiency	Power Factor	Size (L*W*H)
FLS-8-500 LA	8W	220-240VAC	150-500mA	2.5-48V	82%	0.9	115*30*20.5mm
FLS-18-1050 LA	18W	220-240VAC	550-1050mA	2.5-33V	85%	0.95	115*30*20.5mm



Page 50

ON/OFF - CCT

Model	Power	Input Voltage	Output Current	Output Voltage	Efficiency	Power Factor	Size (L*W*H)
LS-8-70 CCT SI E	8W	220-240VAC	70mA	30-40V	78%	0.6	92*28*21mm
LS-8-80 CCT SI E	8W	220-240VAC	80mA	30-40V	78%	0.6	92*28*21mm
LS-8-120 CCT SI E	8W	220-240VAC	120mA	30-40V	80%	0.6	92*28*21mm
LS-8-150 CCT SI E	8W	220-240VAC	150mA	30-40V	80%	0.6	92*28*21mm
LS-8-160 CCT SI E	8W	220-240VAC	160mA	30-40V	80%	0.6	92*28*21mm
LS-8-180 CCT SI E	8W	220-240VAC	180mA	30-40V	80%	0.6	92*28*21mm
LS-8-200 CCT SI E	8W	220-240VAC	200mA	30-40V	80%	0.6	92*28*21mm
LS-8-220 CCT SI E	8W	220-240VAC	220mA	30-40V	80%	0.6	92*28*21mm
LS-12-250 CCT SI E	12W	220-240VAC	250mA	30-40V	82%	0.6	92*28*21mm
LS-12-280 CCT SI E	12W	220-240VAC	280mA	30-40V	82%	0.6	92*28*21mm
LS-12-300 CCT SI E	12W	220-240VAC	300mA	30-40V	82%	0.6	92*28*21mm
LS-21-400 CCT SI E	21W	220-240VAC	400mA	30-42V	85%	0.6	92*36*25mm
LS-21-450 CCT SI E	21W	220-240VAC	450mA	30-42V	85%	0.6	92*36*25mm
LS-21-500 CCT SI E	21W	220-240VAC	500mA	30-42V	85%	0.6	92*36*25mm
LS-21-600 CCT SI E	21W	220-240VAC	600mA	27-39V	85%	0.6	92*36*25mm
LS-30-500 CCT LI EXC	30W	220-240VAC	500mA	24-42V	87%	0.95	102*38.2*25mm
LS-30-550 CCT LI EXC	30W	220-240VAC	550mA	24-42V	87%	0.95	102*38.2*25mm
LS-30-600 CCT LI EXC	30W	220-240VAC	600mA	24-42V	87%	0.95	102*38.2*25mm
LS-30-650 CCT LI EXC	30W	220-240VAC	650mA	24-42V	87%	0.95	102*38.2*25mm
LS-30-700 CCT LI EXC	30W	220-240VAC	700mA	24-42V	87%	0.95	102*38.2*25mm
LS-30-750 CCT LI EXC	30W	220-240VAC	750mA	24-42V	87%	0.95	102*38.2*25mm
LS-30-800 CCT LI EXC	30W	220-240VAC	800mA	24-42V	87%	0.95	102*38.2*25mm



Page 51



Page 52

ON/OFF - Hot sale

Model	Power	Input Voltage	Output Current	Output Voltage	Efficiency	Power Factor	Size (L*W*H)
LS-3-150...500 SI E	3W	220-240VAC	150...500mA	5-12V	68%	0.45	84*20.5*16.5mm
LS-3-700 SI E	3W	220-240VAC	700mA	2.5-4.5V	71%	0.45	84*20.5*16.5mm
LS-6-120...180 SI E	6W	220-240VAC	120...180mA	27-40V	76%	0.50	84*20.5*16.5mm
LS-6-200 SI E	6W	220-240VAC	200mA	27-40V	76%	0.50	84*20.5*16.5mm
LS-6-220 SI E	6W	220-240VAC	220mA	27-40V	76%	0.50	84*20.5*16.5mm
LS-6-250 SI E	6W	220-240VAC	250mA	10-24V	76%	0.50	84*20.5*16.5mm
LS-6-300...700 SI E	6W	220-240VAC	300...700mA	8-20V	76%	0.50	84*20.5*16.5mm



Page 53

COMPACT

ON/OFF - Hot sale

Model	Power	Input Voltage	Output Current	Output Voltage	Efficiency	Power Factor	Size (L*W*H)
LS-8-180 SI E1	8W	220-240VAC	180mA	30-42V	73%	0.50	84*20.5*16.5mm
LS-8-200 SI E1	8W	220-240VAC	200mA	30-42V	73%	0.50	84*20.5*16.5mm
LS-8-220 SI E1	8W	220-240VAC	220mA	30-42V	73%	0.50	84*20.5*16.5mm
LS-8-500 SI E1	8W	220-240VAC	500mA	13-18V	73%	0.50	84*20.5*16.5mm
LS-8-700 SI E1	8W	220-240VAC	700mA	8-13V	73%	0.50	84*20.5*16.5mm
LS-8-70 SI2 E	8W	220-240VAC	70mA	30-40V	78%	0.60	92*28*21mm
LS-8-80...120 SI2 E	8W	220-240VAC	80...120mA	30-40V	78%	0.60	92*28*21mm
LS-8-150 SI2 E	8W	220-240VAC	150mA	30-40V	80%	0.60	92*28*21mm
LS-8-160...220 SI2 E	8W	220-240VAC	160...220mA	30-40V	80%	0.60	92*28*21mm
LS-8-300 SI2 E	8W	220-240VAC	300mA	18-24V	80%	0.60	92*28*21mm
LS-8-350 SI2 E	8W	220-240VAC	350mA	18-24V	80%	0.60	92*28*21mm
LS-8-500 SI2 E	8W	220-240VAC	500mA	10-16V	80%	0.60	92*28*21mm
LS-8-700 SI2 E	8W	220-240VAC	700mA	8-11.4V	80%	0.60	92*28*21mm
LS-12-250 SI2 E	12W	220-240VAC	250mA	30-40V	82%	0.60	92*28*21mm
LS-12-280 SI2 E	12W	220-240VAC	280mA	30-40V	82%	0.60	92*28*21mm
LS-12-300 SI2 E	12W	220-240VAC	300mA	30-40V	82%	0.60	92*28*21mm
LS-12-350 SI2 E	12W	220-240VAC	350mA	30-40V	82%	0.60	92*28*21mm
LS-12-500...700 SI2 E	12W	220-240VAC	500...700mA	18-24V	82%	0.60	92*28*21mm
LS-21-300 SI1 E	21W	220-240VAC	300mA	40-70V	85%	0.60	92*36*25mm
LS-21-350 SI1 E	21W	220-240VAC	350mA	42-60V	85%	0.60	92*36*25mm
LS-21-400 SI1 E	21W	220-240VAC	400mA	30-42V	85%	0.60	92*36*25mm
LS-21-450 SI1 E	21W	220-240VAC	450mA	30-42V	85%	0.60	92*36*25mm
LS-21-500 SI1 E	21W	220-240VAC	500mA	30-42V	85%	0.60	92*36*25mm
LS-21-550 SI1 E	21W	220-240VAC	550mA	30-40V	85%	0.60	92*36*25mm
LS-21-600 SI1 E	21W	220-240VAC	600mA	27-39V	85%	0.60	92*36*25mm
LS-21-650 SI1 E	21W	220-240VAC	650mA	20-32V	85%	0.60	92*36*25mm
LS-21-700 SI1 E	21W	220-240VAC	700mA	18-30V	85%	0.60	92*36*25mm



Page 53



Page 54



Page 55

ON/OFF - High PF

Model	Power	Input Voltage	Output Current	Output Voltage	Efficiency	Power Factor	Size (L*W*H)
LS-8-70 LI2 EXC	8W	220-240VAC	70mA	27-42V	68%	0.90	92*36*25mm
LS-8-120 LI2 EXC	8W	220-240VAC	120mA	27-42V	75%	0.92	92*36*25mm
LS-8-150 LI2 EXC	8W	220-240VAC	150mA	27-42V	75%	0.95	92*36*25mm
LS-8-160 LI2 EXC	8W	220-240VAC	160mA	27-42V	75%	0.95	92*36*25mm
LS-8-180 LI2 EXC	8W	220-240VAC	180mA	27-42V	78%	0.95	92*36*25mm
LS-8-200 LI2 EXC	8W	220-240VAC	200mA	27-40V	78%	0.95	92*36*25mm
LS-8-220 LI2 EXC	8W	220-240VAC	220mA	27-40V	79%	0.95	92*36*25mm
LS-12-250 LI2 EXC	12W	220-240VAC	250mA	27-42V	82%	0.95	92*36*25mm
LS-12-280 LI2 EXC	12W	220-240VAC	280mA	27-42V	82%	0.95	92*36*25mm
LS-12-300 LI2 EXC	12W	220-240VAC	300mA	27-42V	82%	0.95	92*36*25mm
LS-15-350 LI2 EXC	15W	220-240VAC	350mA	27-40V	81%	0.95	92*36*25mm
LS-21-400 LI2 EXC	21W	220-240VAC	400mA	27-42V	85%	0.95	102*38.2*25mm
LS-21-450 LI2 EXC	21W	220-240VAC	450mA	27-42V	85%	0.95	102*38.2*25mm
LS-21-500 LI2 EXC	21W	220-240VAC	500mA	27-42V	86%	0.95	102*38.2*25mm



Page 56

COMPACT

ON/OFF - High PF

Model	Power	Input Voltage	Output Current	Output Voltage	Efficiency	Power Factor	Size (L*W*H)
LS-15-350 LI EXC	15W	220-240VAC	350mA	27-42V	84%	0.95	102*38.2*25mm
LS-21-400 LI EXC	21W	220-240VAC	400mA	27-42V	85%	0.95	102*38.2*25mm
LS-21-450 LI EXC	21W	220-240VAC	450mA	27-42V	85%	0.95	102*38.2*25mm
LS-21-500 LI EXC	21W	220-240VAC	500mA	27-42V	86%	0.95	102*38.2*25mm
LS-21-550 LI EXC	21W	220-240VAC	550mA	27-38.5V	86%	0.95	102*38.2*25mm
LS-40-600 LI EXC S	40W	220-240VAC	600mA	24-42V	89%	0.95	102*38.2*25mm
LS-40-650 LI EXC S	40W	220-240VAC	650mA	24-42V	89%	0.95	102*38.2*25mm
LS-40-700 LI EXC S	40W	220-240VAC	700mA	24-42V	89%	0.95	102*38.2*25mm
LS-40-750 LI EXC S	40W	220-240VAC	750mA	24-42V	89%	0.95	102*38.2*25mm
LS-40-800 LI EXC S	40W	220-240VAC	800mA	24-42V	89%	0.95	102*38.2*25mm
LS-40-850 LI EXC S	40W	220-240VAC	850mA	24-42V	89%	0.95	102*38.2*25mm
LS-40-900 LI EXC S	40W	220-240VAC	900mA	24-42V	90%	0.95	102*38.2*25mm
LS-40-950 LI EXC S	40W	220-240VAC	950mA	24-42V	90%	0.95	102*38.2*25mm
LS-40-1000 LI EXC S	40W	220-240VAC	1000mA	24-40V	90%	0.95	102*38.2*25mm
LS-40-1050 LI EXC S	40W	220-240VAC	1050mA	24-38V	90%	0.95	102*38.2*25mm
LS-50-500 LI EXC	50W	220-240VAC	500mA	30-84V	91%	0.95	116*41.2*26mm
LS-50-600 LI EXC	50W	220-240VAC	600mA	30-84V	91%	0.95	116*41.2*26mm
LS-50-1100 LI EXC	50W	220-240VAC	1100mA	15-42V	91%	0.95	116*41.2*26mm
LS-50-1150 LI EXC	50W	220-240VAC	1150mA	15-42V	91%	0.95	116*41.2*26mm
LS-50-1200 LI EXC	50W	220-240VAC	1200mA	15-42V	91%	0.95	116*41.2*26mm
LS-50-1250 LI EXC	50W	220-240VAC	1250mA	15-40V	91%	0.95	116*41.2*26mm
LS-60-1050 LI EXC	60W	220-240VAC	1050mA	15-42V	90%	0.95	135*41.2*25mm
LS-60-1300 LI EXC	60W	220-240VAC	1300mA	15-42V	90%	0.95	135*41.2*25mm
LS-60-1350 LI EXC	60W	220-240VAC	1350mA	15-42V	90%	0.95	135*41.2*25mm
LS-60-1400 LI EXC	60W	220-240VAC	1400mA	15-42V	90%	0.95	135*41.2*25mm
LS-60-1450 LI EXC	60W	220-240VAC	1450mA	15-40V	90%	0.95	135*41.2*25mm
LS-60-1500 LI EXC	60W	220-240VAC	1500mA	15-40V	90%	0.95	135*41.2*25mm



Page 57



Page 58

ON/OFF - Wide voltage

Model	Power	Input Voltage	Output Current	Output Voltage	Efficiency	Power Factor	Size (L*W*H)
LX-8-70 LI EXC	8W	100-277VAC	70mA	27-42V	67%	0.9	92*36*25mm
LX-8-100 LI EXC	8W	100-277VAC	100mA	27-42V	67%	0.9	92*36*25mm
LX-8-120 LI EXC	8W	100-277VAC	120mA	27-42V	75%	0.92	92*36*25mm
LX-8-150 LI EXC	8W	100-277VAC	150mA	27-42V	77%	0.95	92*36*25mm
LX-8-160 LI EXC	8W	100-277VAC	160mA	27-42V	77%	0.95	92*36*25mm
LX-8-180 LI EXC	8W	100-277VAC	180mA	27-42V	78%	0.95	92*36*25mm
LX-8-200 LI EXC	8W	100-277VAC	200mA	27-40V	79%	0.95	92*36*25mm
LX-8-220 LI EXC	8W	100-277VAC	220mA	27-40V	79%	0.95	92*36*25mm
LX-12-250 LI EXC	12W	100-277VAC	250mA	27-42V	78%	0.9	92*36*25mm
LX-12-280 LI EXC	12W	100-277VAC	280mA	27-42V	78%	0.9	92*36*25mm
LX-12-300 LI EXC	12W	100-277VAC	300mA	27-40V	78%	0.9	92*36*25mm



Page 59

COMPACT

ON/OFF - Wide voltage

Model	Power	Input Voltage	Output Current	Output Voltage	Efficiency	Power Factor	Size (L*W*H)
LX-21-350 LI EXC	21W	100-277VAC	350mA	27-44V	85%	0.95	102*38.2*25mm
LX-21-400 LI EXC	21W	100-277VAC	400mA	27-44V	85%	0.95	102*38.2*25mm
LX-21-450 LI EXC	21W	100-277VAC	450mA	27-44V	85%	0.95	102*38.2*25mm
LX-21-500 LI EXC	21W	100-277VAC	500mA	27-44V	85%	0.95	102*38.2*25mm
LX-21-550 LI EXC	21W	100-277VAC	550mA	27-38.5V	85%	0.95	102*38.2*25mm
LX-40-600 LI EXC	40W	100-277VAC	600mA	24-42V	84%	0.9	135*41.2*25mm
LX-40-650 LI EXC	40W	100-277VAC	650mA	24-42V	84%	0.9	135*41.2*25mm
LX-40-700 LI EXC	40W	100-277VAC	700mA	24-42V	84%	0.9	135*41.2*25mm
LX-40-750 LI EXC	40W	100-277VAC	750mA	24-42V	84%	0.9	135*41.2*25mm
LX-40-800 LI EXC	40W	100-277VAC	800mA	24-42V	84%	0.9	135*41.2*25mm
LX-40-850 LI EXC	40W	100-277VAC	850mA	24-42V	84%	0.9	135*41.2*25mm
LX-40-900 LI EXC	40W	100-277VAC	900mA	24-42V	84%	0.9	135*41.2*25mm
LX-40-950 LI EXC	40W	100-277VAC	950mA	24-42V	84%	0.9	135*41.2*25mm
LX-40-1000 LI EXC	40W	100-277VAC	1000mA	24-40V	84%	0.9	135*41.2*25mm
LX-40-1050 LI EXC	40W	100-277VAC	1050mA	24-38.5V	84%	0.9	135*41.2*25mm



Page 60

ON/OFF - Round

Model	Power	Input Voltage	Output Current	Output Voltage	Efficiency	Power Factor	Size (L*W*H)
CS-8-100 SB	8W	220-240VAC	100mA	30-40V	80%	0.5	Φ42.5*21mm
CS-8-120 SB	8W	220-240VAC	120mA	30-40V	80%	0.5	Φ42.5*21mm
CS-8-150 SB	8W	220-240VAC	150mA	30-40V	80%	0.5	Φ42.5*21mm
CS-8-180 SB	8W	220-240VAC	180mA	30-40V	80%	0.6	Φ42.5*21mm
CS-8-200 SB	8W	220-240VAC	200mA	30-40V	80%	0.6	Φ42.5*21mm
CS-8-220 SB	8W	220-240VAC	220mA	30-40V	80%	0.6	Φ42.5*21mm
CS-15-250 SB	15W	220-240VAC	250mA	27-42V	82%	0.6	Φ42.5*21mm
CS-15-280 SB	15W	220-240VAC	280mA	27-42V	82%	0.6	Φ42.5*21mm
CS-15-300 SB	15W	220-240VAC	300mA	27-42V	82%	0.6	Φ42.5*21mm
CS-15-350 SB	15W	220-240VAC	350mA	27-42V	82%	0.6	Φ42.5*21mm
CS-15-400 SB	15W	220-240VAC	400mA	27-42V	82%	0.6	Φ42.5*21mm
CS-25-450 LB	25W	220-240VAC	450mA	24-42V	87%	0.95	Φ56*25.5mm
CS-25-500 LB	25W	220-240VAC	500mA	24-42V	87%	0.95	Φ56*25.5mm
CS-25-550 LB	25W	220-240VAC	550mA	24-42V	88%	0.95	Φ56*25.5mm
CS-25-600 LB	25W	220-240VAC	600mA	24-42V	88%	0.95	Φ56*25.5mm
CS-32-650 LB	32W	220-240VAC	650mA	24-42V	89%	0.95	Φ65*25mm
CS-32-700 LB	32W	220-240VAC	700mA	24-42V	89%	0.95	Φ65*25mm
CS-32-750 LB	32W	220-240VAC	750mA	24-42V	89%	0.95	Φ65*25mm
CS-32-800 LB	32W	220-240VAC	800mA	24-42V	89%	0.95	Φ65*25mm
CS-8-120 SI	8W	220-240VAC	120mA	30-40V	80%	0.5	Φ42.5*21mm
CS-8-150 SI	8W	220-240VAC	150mA	30-40V	80%	0.5	Φ42.5*21mm
CS-8-180 SI	8W	220-240VAC	180mA	30-40V	80%	0.5	Φ42.5*21mm
CS-8-200 SI	8W	220-240VAC	200mA	30-40V	80%	0.5	Φ42.5*21mm
CS-15-250 SI	15W	220-240VAC	250mA	27-42V	82%	0.5	Φ42.5*21mm
CS-15-300 SI	15W	220-240VAC	300mA	27-42V	82%	0.5	Φ42.5*21mm
CS-15-350 SI	15W	220-240VAC	350mA	27-42V	82%	0.5	Φ42.5*21mm



Page 61



Page 62



Page 63

COMPACT

ON/OFF - Round



Page 63

Model	Power	Input Voltage	Output Current	Output Voltage	Efficiency	Power Factor	Size (L*W*H)
CS-22-350 SI	22W	220-240VAC	350mA	27-42V	85%	0.5	Φ50*22mm
CS-22-400 SI	22W	220-240VAC	400mA	27-42V	85%	0.5	Φ50*22mm
CS-22-450 SI	22W	220-240VAC	450mA	27-42V	85%	0.5	Φ50*22mm
CS-22-500 SI	22W	220-240VAC	500mA	27-42V	85%	0.5	Φ50*22mm
CS-22-550 SI	22W	220-240VAC	550mA	27-42V	85%	0.5	Φ50*22mm
CS-24-450 LI1	24W	220-240VAC	450mA	24-42V	87%	0.95	Φ56*25.5mm
CS-24-500 LI1	24W	220-240VAC	500mA	24-42V	87%	0.95	Φ56*25.5mm
CS-24-550 LI1	24W	220-240VAC	550mA	24-42V	88%	0.95	Φ56*25.5mm
CS-24-600 LI1	24W	220-240VAC	600mA	24-40V	88%	0.95	Φ56*25.5mm
CS-30-600 LI1	30W	220-240VAC	600mA	20-42V	89%	0.95	Φ65*25mm
CS-30-650 LI1	30W	220-240VAC	650mA	20-42V	89%	0.95	Φ65*25mm
CS-30-700 LI1	30W	220-240VAC	700mA	20-42V	89%	0.95	Φ65*25mm
CS-30-750 LI1	30W	220-240VAC	750mA	24-40V	89%	0.95	Φ65*25mm
CS-42-800 LI1	42W	220-240VAC	800mA	24-42V	90%	0.95	Φ65*25mm
CS-42-850 LI1	42W	220-240VAC	850mA	24-42V	90%	0.95	Φ65*25mm
CS-42-900 LI1	42W	220-240VAC	900mA	24-42V	90%	0.95	Φ65*25mm
CS-42-950 LI1	42W	220-240VAC	950mA	24-42V	90%	0.95	Φ65*25mm
CS-42-1000 LI1	42W	220-240VAC	1000mA	24-42V	90%	0.95	Φ65*25mm
CS-42-1050 LI1	42W	220-240VAC	1050mA	24-40V	90%	0.95	Φ65*25mm



Page 64

ON/OFF - Lead wire



Page 65

Model	Power	Input Voltage	Output Current	Output Voltage	Efficiency	Power Factor	Size (L*W*H)
CH-12-300 IP65 LB1	12W	100-240VAC	300mA	24-40V	81%	0.95	Φ55*26mm
CH-12-350 IP65 LB1	12W	100-240VAC	350mA	20-35V	81%	0.95	Φ55*26mm
CH-12-500 IP65 LB1	12W	100-240VAC	500mA	14-24V	81%	0.95	Φ55*26mm
CH-12-700 IP65 LB1	12W	100-240VAC	700mA	10.5-17.5V	81%	0.95	Φ55*26mm
CH-18-300 IP65 LB	18W	100-240VAC	300mA	36-60V	86%	0.95	Φ55*26mm
CH-18-350 IP65 LB	18W	100-240VAC	350mA	31-52V	86%	0.95	Φ55*26mm
CH-18-450 IP65 LB	18W	100-240VAC	450mA	24-40V	86%	0.95	Φ55*26mm
CH-18-700 IP65 LB	18W	100-240VAC	700mA	15.5-26V	87%	0.95	Φ55*26mm
CH-25-350 IP65 LB1	25W	100-240VAC	350mA	43-72V	86%	0.95	Φ65*28mm
CH-25-600 IP65 LB1	25W	100-240VAC	600mA	25-42V	86%	0.95	Φ65*28mm
CH-25-700 IP65 LB1	25W	100-240VAC	700mA	21.5-36V	86%	0.95	Φ65*28mm
SS-6-300 MB	6W	220-240VAC	300mA	10-20V	76%	0.7	58.1*28.5*21mm
SS-6-350 MB	6W	220-240VAC	350mA	8-20V	76%	0.7	58.1*28.5*21mm
SS-6-700 MB	6W	220-240VAC	700mA	2.8-9V	76%	0.7	58.1*28.5*21mm
SS-9-200 MB-G	9W	220-240VAC	200mA	27-45V	78%	0.8	60*34*23.5mm
SS-9-350 MB-G	9W	220-240VAC	350mA	15-26V	78%	0.8	60*34*23.5mm
SS-9-700 MB-G	9W	220-240VAC	700mA	7-13V	78%	0.8	60*34*23.5mm
SS-12-300 MB-G	12W	220-240VAC	300mA	24-40V	81%	0.8	60*34*23.5mm
SS-12-350 MB-G	12W	220-240VAC	350mA	20-34.5V	81%	0.8	60*34*23.5mm
SS-12-500 MB-G	12W	220-240VAC	500mA	14.5-24V	81%	0.8	60*34*23.5mm
SS-12-700 MB-G	12W	220-240VAC	700mA	10-18V	81%	0.8	60*34*23.5mm

Page 66



COMPACT

ON/OFF - Lead wire



Page 67

Model	Power	Input Voltage	Output Current	Output Voltage	Efficiency	Power Factor	Size (L*W*H)
SS-9-200 MX-G	9W	220-240VAC	200mA	27-45V	81%	0.7	55*41*21.5mm
SS-9-300 MX-G	9W	220-240VAC	300mA	18-30V	81%	0.7	55*41*21.5mm
SS-9-350 MX-G	9W	220-240VAC	350mA	15-26V	81%	0.7	55*41*21.5mm
SS-9-700 MX-G	9W	220-240VAC	700mA	7-13V	81%	0.7	55*41*21.5mm
SS-12-300 MX-G	12W	220-240VAC	300mA	24-40V	80%	0.7	55*41*21.5mm
SS-12-350 MX-G	12W	220-240VAC	350mA	20-34.5V	80%	0.7	55*41*21.5mm
SS-12-500 MX-G	12W	220-240VAC	500mA	14.5-24V	80%	0.7	55*41*21.5mm
SS-12-700 MX-G	12W	220-240VAC	700mA	10-18V	80%	0.7	55*41*21.5mm
SH-3-300 IP65 SB	3W	100-240VAC	300mA	2.5-12V	68%	0.5	47*23*21mm
SH-3-350 IP65 SB	3W	100-240VAC	350mA	2.5-10V	68%	0.5	47*23*21mm
SH-3-500 IP65 SB	3W	100-240VAC	500mA	2.5-7V	68%	0.5	47*23*21mm
SH-3-700 IP65 SB	3W	100-240VAC	700mA	2.5-4.5V	68%	0.5	47*23*21mm



Page 68

MINI

Intelligent - DALI+0-10V



Page 70

Model	Power	Input Voltage	Output Current	Output Voltage	Efficiency	Power Factor	Size (L*W*H)
FLX-42-1050 DALI-2 0-10 LN PRO	42W	100-240VAC	150-1050mA	2.5-49V	89%	0.95	97*43*30mm

Intelligent - DALI-2 DT8



Page 71

Model	Power	Input Voltage	Output Current	Output Voltage	Efficiency	Power Factor	Size (L*W*H)
FLS-20-500 DALI-2 DT8 LN ADV	20W	220-240VAC	150-500mA	2.5-49V	87%	0.95	98*43*22mm
FLS-42-1050 DALI-2 DT8 LN ADV	42W	220-240VAC	300-1050mA	2.5-49V	90%	0.95	113*43*25mm
FLS-20-500 DALI-2 DT8 LN PRO	20W	220-240VAC	80-500mA	2.5-49V	87%	0.95	98*43*22mm
FLS-42-1050 DALI-2 DT8 LN PRO	42W	220-240VAC	300-1050mA	2.5-49V	90%	0.95	113*43*25mm

Intelligent - DALI-2



Page 72

Model	Power	Input Voltage	Output Current	Output Voltage	Efficiency	Power Factor	Size (L*W*H)
FLS-12-300 DALI-2 LD1 ADV	12W	220-240V	150-300mA	24-42V	91%	0.95	98*43*22mm
FLS-30-700 DALI-2 LD1 ADV	30W	220-240V	350-700mA	24-42V	93%	0.95	98*43*22mm
FLS-42-1050 DALI-2 LD1 ADV	42W	220-240V	700-1050mA	24-42V	93%	0.95	98*43*22mm



Page 73

Model	Power	Input Voltage	Output Current	Output Voltage	Efficiency	Power Factor	Size (L*W*H)
FLS-36-850 DALI-2 CCT LD	36W	220-240VAC	550-850mA	24-42V	92%	0.95	113*43*25mm
FLS-42-1050 DALI-2 CCT LD	42W	220-240VAC	500-1050mA	25-42V	92%	0.95	113*43*25mm






Page 74


Model	Power	Input Voltage	Output Current	Output Voltage	Efficiency	Power Factor	Size (L*W*H)
FLS-30-700 DALI-2 LD ECO	30W	220-240VAC	150-700mA	24-42V	87%	0.97	97*43*30mm
FLS-44-1050 DALI-2 LD ECO	44W	220-240VAC	700-1050mA	24-42V	89%	0.97	97*43*30mm
FLS-42-1050 DALI-2 LD ADV	42W	220-240VAC	150-1050mA	2.5-52V	87%	0.95	97*43*30mm

MINI


Intelligent - DALI-2

	Model	Power	Input Voltage	Output Current	Output Voltage	Efficiency	Power Factor	Size (L*W*H)
	FLS-20-500 DALI-2 LD PRO	320W	220-240VAC	80-500mA	2.5-49V	87%	0.95	88*40*22mm
	FLS-30-700 DALI-2 LD PRO	30W	220-240VAC	150-700mA	2.5-49V	90%	0.95	98*43*22mm
	FLS-42-1050 DALI-2 LD PRO	42W	220-240VAC	300-1050mA	2.5-49V	90%	0.95	98*43*22mm
	FLS-42-1050 DALI-2 LD1 PRO	42W	220-240VAC	150-1050mA	2.5-49V	90%	0.95	98*43*22mm
	Page 75 FLS-60-1500 DALI-2 LD PRO	60W	220-240VAC	900-1500mA	9-49V	90%	0.95	113*43*25mm
	Page 76 FLS-42-1050 DALI-2 LD2 PRO	42W	220-240VAC	300-1050mA	2.5-49V	90%	0.95	98*43*22mm
		FLS-20-500 DALI-2 LN PRO	20W	220-240VAC	80-500mA	2.5-49V	87%	0.95
Page 77 FLS-30-700 DALI-2 LN PRO		30W	220-240VAC	150-700mA	2.5-49V	89%	0.95	98*43*22mm


Intelligent - 0-10V

	Model	Power	Input Voltage	Output Current	Output Voltage	Efficiency	Power Factor	Size (L*W*H)
	FLS-20-500 0-10 LD ADV	20W	220-240VAC	350-500mA	24-42V	86%	0.95	98*43*22mm
	FLS-30-700 0-10 LD ADV	30W	220-240VAC	550-700mA	24-42V	87%	0.95	113*43*25mm
	FLS-42-1050 0-10 LD ADV	42W	220-240VAC	700-1050mA	24-42V	88%	0.95	113*43*25mm
	Page 78 FLS-60-1500 0-10 LD ADV	60W	220-240VAC	1150-1500mA	24-42V	89%	0.95	123*43*25mm


Intelligent - Wireless

	Model	Power	Input Voltage	Output Current	Output Voltage	Efficiency	Power Factor	Size (L*W*H)
	Page 79 FLS-42-1050 Blue LD-CSB ADV	42W	220-240VAC	150-1050mA	2.5-49V	89%	0.95	97*43*30mm



ON/OFF - High Eff.

	Model	Power	Input Voltage	Output Current	Output Voltage	Efficiency	Power Factor	Size (L*W*H)
	FLS-20-500 LD1 PRO	20W	220-240VAC	350-500mA	27-40V	93%	0.95	98*43*22mm
	FLS-30-700 LD1 PRO	30W	220-240VAC	550-700mA	27-40V	94%	0.95	98*43*22mm
	FLS-38-900 LD1 PRO	38W	220-240VAC	750-900mA	27-40V	94%	0.95	98*43*22mm
	Page 80 FLS-42-1050 LD1 PRO	42W	220-240VAC	900-1050mA	27-40V	94%	0.95	98*43*22mm

ON/OFF - CCT


	Model	Power	Input Voltage	Output Current	Output Voltage	Efficiency	Power Factor	Size (L*W*H)
	Page 81 FLS-36-850 CCT LD	36W	220-240VAC	550-850mA	30-40V	90%	0.95	113*43*25mm
	FLS-42-1050 CCT LD	42W	220-240VAC	500-1050mA	30-42V	90%	0.95	113*43*25mm

ON/OFF - Dip Switch


	Model	Power	Input Voltage	Output Current	Output Voltage	Efficiency	Power Factor	Size (L*W*H)
	FLS-21-500 LD1 EXC	21W	220-240VAC	350-500mA	27-42V	85%	0.95	88*40*22mm
	FLS-30-700 LD1 EXC	30W	220-240VAC	550-700mA	9-42V	89%	0.95	88*40*22mm
	FLS-38-900 LD1 EXC	38W	220-240VAC	750-900mA	9-42V	89%	0.95	88*40*22mm
	Page 82 FLS-40-1050 LD1 EXC	40W	220-240VAC	900-1050mA	9-42V	90%	0.95	88*40*22mm
	FLS-42-1050 LD PRO	42W	220-240VAC	150-1050mA	2.5-42V	89%	0.95	98*43*22mm
	Page 83 FLS-42-1050 LD1 ADV	42W	220-240VAC	300-1050mA	9-40V	89%	0.95	98*43*22mm

TRACK


Intelligent - DALI-2 DT8

	Model	Power	Input Voltage	Output Current	Output Voltage	Efficiency	Power Factor	Size (L*W*H)
	Page 85 FDS-28-750 DALI-2 DT8 LD	28W	220-240VAC	100-750mA	10-42V	86%	0.95	218*31*42mm






Intelligent - DALI-2

	Model	Power	Input Voltage	Output Current	Output Voltage	Efficiency	Power Factor	Size (L*W*H)
	Page 86 FDS-42-1050 DALI-2 LD PRO	42W	220-240VAC	300-1050mA	2.5-42V	89%	0.95	202*31*42mm
	Page 87 FDS-42-1050 DALI-2 LD EXC	42W	220-240VAC	300-1050mA	10-42V	88%	0.95	178*31*42mm


Intelligent - CASAMBI

	Model	Power	Input Voltage	Output Current	Output Voltage	Efficiency	Power Factor	Size (L*W*H)
	Page 88 FDS-32-800 Blue LN-CSB	32W	220-240VAC	200-800mA	2.5-49V	89%	0.95	161*31*42mm

ON/OFF - Three Phases

	Model	Power	Input Voltage	Output Current	Output Voltage	Efficiency	Power Factor	Size (L*W*H)
	FDS-40-1050 CCT LD2 PRO	40W	220-240VAC	300-1050mA	9-40V	90%	0.95	133*31*42mm
	Page 89 FDS-40-1050 LD2 PRO	40W	220-240VAC	300-1050mA	9-40V	90%	0.95	133*31*42mm
	Page 90 FDS-42-1050 CCT LD	42W	220-240VAC	800-900-1050mA	10-42V	89%	0.95	178*31*42mm
		FDS-20-500 LD EXC S	20W	220-240VAC	150-500mA	10-40V	90%	0.95
FDS-28-750 LD EXC S		28W	220-240VAC	100-750mA	10-40V	88%	0.95	123*31*42mm
Page 91 FDS-42-1050 LD EXC S		42W	220-240VAC	700-1050mA	10-42V	90%	0.95	133*31*42mm
	FDS-18-450 LD2 EXC	18W	220-240VAC	200-450mA	24-42V	89%	0.95	155*31*42mm
	FDS-30-750 LD2 EXC	30W	220-240VAC	500-750mA	24-42V	90%	0.95	155*31*42mm
	Page 92 FDS-42-1050 LD2 EXC	42W	220-240VAC	800-1050mA	24-42V	90%	0.95	155*31*42mm
	Page 93 FDS-42-1050 LD1 EXC	42W	220-240VAC	300-1050mA	10-42V	89%	0.95	212*31*36mm

ON/OFF - Single phase

	Model	Power	Input Voltage	Output Current	Output Voltage	Efficiency	Power Factor	Size (L*W*H)
	FDS-12-300 LD2-3 Wires	12W	220-240VAC	150-300mA	15-42V	85%	0.95	130*34*45.5mm
	FDS-21-500 LD2-3 Wires	21W	220-240VAC	350-500mA	15-42V	88%	0.95	130*34*45.5mm
	FDS-30-750 LD2-3 Wires	30W	220-240VAC	600-750mA	15-42V	90%	0.95	130*34*45.5mm
	Page 94 FDS-42-1050 LD2-3 Wires	42W	220-240VAC	700-1050mA	15-42V	90%	0.95	130*34*45.5mm

Intelligent
- DALI+0-10V

Model	Power	Input Voltage	Output Current	Output Voltage	Efficiency	Power Factor	Size (L*W*H)
VTS-200-24 DALI-2 0-10 IP65 L	200W	220-240VAC	0-8.33A	24V	91%	0.95	350*45*33mm
VTS-200-24 DALI-2 0-10 L	200W	220-240VAC	0-8.33A	24V	91%	0.95	350*45*33mm

Intelligent
- DALI-2 DT8

Model	Power	Input Voltage	Output Current	Output Voltage	Efficiency	Power Factor	Size (L*W*H)
LS-45-24 DALI-2 DT8 LN ADV	45W	220-240VAC	0-1.88A	24V	89%	0.95	227*38*30mm
LS-45-24 DALI-2 DT8 LI1	45W	220-240VAC	0-1.88A	24V	89%	0.95	227*38*30mm
LS-80-24 DALI-2 DT8 LN ADV	80W	220-240VAC	0-3.33A	24V	89%	0.95	318*38*30mm
LS-80-24 DALI-2 DT8 LI1	80W	220-240VAC	0-3.33A	24V	89%	0.95	318*38*30mm
LS-150-24 DALI-2 DT8 LN ADV	150W	220-240VAC	0-6.25A	24V	90%	0.95	318*38*30mm
LS-150-24 DALI-2 DT8 LI1	150W	220-240VAC	0-6.25A	24V	91%	0.95	318*38*30mm

Intelligent
- DALI-2

Model	Power	Input Voltage	Output Current	Output Voltage	Efficiency	Power Factor	Size (L*W*H)
LS-45-24 DALI-2 LI1	45W	220-240VAC	0-1.88A	24V	87%	0.95	168*38*30mm
LS-80-24 DALI-2 LI1	80W	220-240VAC	0-3.33A	24V	89%	0.95	227*38*30mm
LS-150-24 DALI-2 LI1	120W	220-240VAC	0-6.25A	24V	91%	0.95	318*38*30mm
LS-250-24 DALI-2 LI	250W	220-240VAC	0-10.41A	24V	91%	0.95	431*45*30mm
US-60-24 DALI-2 LI	60W	220-240VAC	0-2.5A	24V	89%	0.95	298*30*16mm
US-100-24 DALI-2 LI	100W	220-240VAC	0-4.16A	24V	89%	0.95	353*30*18mm
US-150-24 DALI-2 LI	150W	220-240VAC	0-6.25A	24V	90%	0.95	383*30*18mm

Intelligent
- 0-10V

Model	Power	Input Voltage	Output Current	Output Voltage	Efficiency	Power Factor	Size (L*W*H)
LS-45-24 0-10 LI	45W	220-240VAC	0-1.88A	24V	87%	0.95	168*38*30mm
LS-80-24 0-10 LI	80W	220-240VAC	0-3.33A	24V	89%	0.95	227*38*30mm
LS-150-24 0-10 LI	150W	220-240VAC	0-6.25A	24V	92%	0.95	318*38*30mm
LS-250-24 0-10 LI	250W	220-240VAC	0-10.41A	24V	91%	0.95	431*45*30.5mm

ON/OFF
- Silm

Model	Power	Input Voltage	Output Current	Output Voltage	Efficiency	Power Factor	Size (L*W*H)
LS-30-12 LI1 EXC	30W	220-240VAC	0-2.5A	12V	86%	0.95	116*41.2*26mm
LS-30-24 LI1 EXC	30W	220-240VAC	0-1.25A	24V	86%	0.95	116*41.2*26mm
LS-30-48 LI1 EXC	30W	220-240VAC	0-0.625A	48V	86%	0.95	116*41.2*26mm
LS-60-12 LI1 EXC	60W	220-240VAC	0-5A	12V	88%	0.95	150*45*30mm
LS-60-24 LI1 EXC	60W	220-240VAC	0-2.5A	24V	88%	0.95	150*45*30mm
LS-75-12 LI1 EXC	75W	220-240VAC	0-6.25A	12V	89%	0.95	150*45*30mm
LS-75-24 LI1 EXC	75W	220-240VAC	0-3.13A	24V	89%	0.95	150*45*30mm

ON/OFF
- Silm

Model	Power	Input Voltage	Output Current	Output Voltage	Efficiency	Power Factor	Size (L*W*H)
LS-30-12 LI EXC	30W	220-240VAC	0-2.5A	12V	87%	0.95	136*38*28mm
LS-30-24 LI EXC	30W	220-240VAC	0-1.25A	24V	87%	0.95	136*38*28mm
LS-60-12 LI EXC	60W	220-240VAC	0-5A	12V	88%	0.95	168*38*30mm
LS-60-24 LI EXC	60W	220-240VAC	0-2.5A	24V	88%	0.95	168*38*30mm
LS-75-12 LI EXC	75W	220-240VAC	0-6.25A	12V	88%	0.95	168*38*30mm
LS-75-24 LI EXC	75W	220-240VAC	0-3.13A	24V	89%	0.95	168*38*30mm
LS-75-48 LI EXC	75W	220-240VAC	0-1.56A	48V	9%	0.95	168*38*30mm
LS-120-24 LI EXC	120W	220-240VAC	0-5A	24V	93%	0.95	227*38*30mm
LS-120-48 LI EXC	120W	220-240VAC	0-2.5A	48V	93%	0.95	227*38*30mm
LS-150-24 LI EXC	150W	220-240VAC	0-6.25A	24V	93%	0.95	227*38*30mm
LS-150-48 LI EXC	150W	220-240VAC	0-3.13A	48V	93%	0.95	227*38*30mm
LS-200-24 LI EXC	200W	220-240VAC	0-8.33A	24V	93%	0.95	318*45*30mm
LS-200-48 LI EXC	200W	220-240VAC	0-4.17A	48V	93%	0.95	318*45*30mm
LS-250-24 LI EXC	250W	220-240VAC	0-10.4A	24V	93%	0.95	318*45*30mm
LS-250-48 LI EXC	250W	220-240VAC	0-5.2A	48V	93%	0.95	318*45*30mm
MS-150-48 LX-YX1	150W	220-240VAC	0-3.125A	48V	92%	0.95	249*34*22mm

ON/OFF
- Ultrathin

Model	Power	Input Voltage	Output Current	Output Voltage	Efficiency	Power Factor	Size (L*W*H)
US-30-12 LI EXC	30W	220-240VAC	0-2.5A	12V	88%	0.95	238*30*16mm
US-30-24 LI EXC	30W	220-240VAC	0-1.25A	24V	88%	0.95	238*30*16mm
US-60-12 LI EXC	60W	220-240VAC	0-5A	12V	88%	0.95	298*30*16mm
US-60-24 LI EXC	60W	220-240VAC	0-2.5A	24V	88%	0.95	298*30*16mm
US-100-12 LI EXC	100W	220-240VAC	0-8.33A	12V	90%	0.95	353*30*18mm
US-100-24 LI EXC	100W	220-240VAC	0-4.17A	24V	90%	0.95	353*30*18mm
US-150-24 LI EXC	150W	220-240VAC	0-6.25A	24V	93%	0.95	353*30*18mm
US-150-48 LI EXC	150W	220-240VAC	0-3.13A	48V	93%	0.95	353*30*18mm
US-200-24 LI EXC	200W	220-240VAC	0-8.33A	24V	93%	0.95	383*30*18mm
US-200-48 LI EXC	200W	220-240VAC	0-4.17A	48V	93%	0.95	383*30*18mm
US-30-12 LI EXC S	30W	220-240VAC	0-2.5A	12V	88%	0.95	154*50*14mm
US-30-24 LI EXC S	30W	220-240VAC	0-1.25A	24V	88%	0.95	154*50*14mm
US-60-12 LI EXC S	60W	220-240VAC	0-5A	12V	91%	0.95	154*50*14mm
US-60-24 LI EXC S	60W	220-240VAC	0-2.5A	24V	88%	0.95	154*50*14mm
US-75-12 LI EXC S	75W	220-240VAC	0-6.25A	12V	89%	0.95	174*50*14.8mm
US-75-24 LI EXC S	75W	220-240VAC	0-3.125A	24V	89%	0.95	174*50*14.8mm
US-100-12 LI EXC S	100W	220-240VAC	0-8.33A	12V	91%	0.95	177*56.4*17.2mm
US-100-24 LI EXC S	100W	220-240VAC	0-4.16A	24V	91%	0.95	177*56.4*17.2mm
US-150-12 LI EXC S	150W	220-240VAC	0-11A	12V	92%	0.95	177*56.4*17.2mm
US-150-24 LI EXC S	150W	220-240VAC	0-6.25A	24V	93%	0.95	177*56.4*17.2mm

ON/OFF
- Lead wire

Model	Power	Input Voltage	Output Current	Output Voltage	Efficiency	Power Factor	Size (L*W*H)
SS-30-12 LB	30W	220-240VAC	0-2.75A	12V	85%	0.95	95*53*32.5mm
SS-30-24 LB	30W	220-240VAC	0-1.25A	24V	85%	0.95	95*53*32.5mm
SS-45-12 LB	45W	220-240VAC	0-3.75A	12V	85%	0.95	95*53*32.5mm
SS-45-24 LB	45W	220-240VAC	0-1.88A	24V	85%	0.95	95*53*32.5mm
SS-60-24 LB	60W	220-240VAC	0-2.5A	24V	87%	0.95	110.5*59.5*32.5mm

CV

ON/OFF - IP67

Model	Power	Input Voltage	Output Current	Output Voltage	Efficiency	Power Factor	Size (L*W*H)
VTS-24-12 IP67 L	24W	220-240VAC	0-2A	12V	86%	0.95	118*35*26mm
VTS-24-24 IP67 L	24W	220-240VAC	0-1A	24V	86%	0.95	118*35*26mm
VTS-40-12 IP67 L	40W	220-240VAC	0-3.34A	12V	86%	0.95	148*42*30mm
VTS-40-24 IP67 L	40W	220-240VAC	0-1.67A	24V	88%	0.95	148*42*30mm
VTS-60-12 IP67 L	60W	220-240VAC	0-5A	12V	87%	0.95	162.5*42.5*32mm
VTS-60-24 IP67 L	60W	220-240VAC	0-2.5A	24V	89%	0.95	162.5*42.5*32mm
VTS-100-12 IP67 L	100W	220-240VAC	0-8.33A	12V	87%	0.95	190*52*33mm
VTS-100-24 IP67 L	100W	220-240VAC	0-4.17A	24V	89%	0.95	190*52*33mm
VTS-160-12 IP67 L	160W	220-240VAC	0-13.3A	12V	91%	0.95	190*52*37.5mm
VTS-160-24 IP67 L	160W	220-240VAC	0-6.67A	24V	92%	0.95	190*52*37.5mm
VTS-160-48 IP67 L	160W	220-240VAC	0-3.33A	48V	92%	0.95	190*52*37.5mm



Page 107

ON/OFF - Switch Power Supply

Model	Power	Input Voltage	Output Current	Output Voltage	Efficiency	Power Factor	Size (L*W*H)
MH-60-24 LI	60W	100-240VAC	0-2.5A	24V	88.5%	0.9	141*55*27mm
MH-60-36 LI	60W	100-240VAC	0-1.67A	36V	89%	0.9	141*55*27mm
MH-60-48 LI	60W	100-240VAC	0-1.25A	48V	89.5%	0.9	141*55*27mm
MH-100-24 LI	100W	100-240VAC	0-4.17A	24V	88.5%	0.9	152*55*27mm
MH-100-36 LI	100W	100-240VAC	0-2.78A	36V	89%	0.9	152*55*27mm
MH-100-48 LI	100W	100-240VAC	0-2.08A	48V	89.5%	0.9	152*55*27mm
MH-200-24 LI	200W	100-240VAC	0-8.33A	24V	92%	0.9	195*55*27mm
MH-200-36 LI	200W	100-240VAC	0-5.56A	36V	92.5%	0.9	195*55*27mm
MH-200-48 LI	200W	100-240VAC	0-4.17A	48V	92.5%	0.9	195*55*27mm
MH-300-24 LI	300W	100-240VAC	0-12.5A	24V	92.5%	0.9	224*62*32mm
MH-300-36 LI	300W	100-240VAC	0-8.33A	36V	93%	0.9	224*62*32mm
MH-300-48 LI	300W	100-240VAC	0-6.25A	48V	93%	0.9	224*62*32mm
MH-400-24 LI	400W	100-240VAC	0-16.66A	24V	93.5%	0.9	231*79*32mm
MH-400-36 LI	400W	100-240VAC	0-11.11A	36V	93.5%	0.9	231*79*32mm
MH-400-48 LI	400W	100-240VAC	0-8.33A	48V	93.5%	0.9	231*79*32mm
MS-60-24 SI	60W	220-240VAC	0-2.5A	24V	89%	0.5	128*37*27.5mm
MS-100-24 SI	100W	220-240VAC	0-4.17A	24V	89%	0.5	162*51*27.5mm
MS-150-24 SI	150W	220-240VAC	0-6.25A	24V	90%	0.5	198*51*27.5mm
MS-200-24 SI	200W	220-240VAC	0-8.33A	24V	90%	0.5	198*51*27.5mm
MS-250-24 SI	250W	220-240VAC	0-10.42A	24V	90%	0.5	228*51*27.5mm
MS-300-24 SI	300W	220-240VAC	0-12.5A	24V	90%	0.5	248*51*27.5mm



P108



P109

NORTH AMERICAN

ON/OFF - 0-10V+Traic

Model	Power	Input Voltage	Output Current	Output Voltage	Efficiency	Power Factor	Size (L*W*H)
FMW-30-750 0-10 TRIAC LD-S	30W	120-277VAC	350-750mA	27-42V	85%	0.9	108.4*61*25mm
FMW-50-1250 0-10 TRIAC LD-S	50W	120-277VAC	750-1250mA	27-42V	85%	0.9	108.4*61*25mm



Page 111

NORTH AMERICAN

ON/OFF - 0-10V

Model	Power	Input Voltage	Output Current	Output Voltage	Efficiency	Power Factor	Size (L*W*H)
FMW-30-750 0-10 LN	30W	120-277VAC	350-750mA	27-42V	85%	0.9	280*30*21mm
FMW-30-750 0-10 LD	30W	120-277VAC	350-750mA	27-42V	85%	0.9	280*30*21mm
FMW-50-1250 0-10 LN	50W	120-277VAC	750-1250mA	27-42V	86%	0.9	280*30*21mm
FMW-50-1250 0-10 LD	50W	120-277VAC	750-1250mA	27-42V	85%	0.9	280*30*21mm



Page 112

ACCESSORIES

DALI Gateway

Model	Power	Input Voltage	Output Current	Output Voltage	Efficiency	Power Factor	Size (L*W*H)
ER-GW-DALI-2 02-A	5W	24V	250mA*2	16V*2	/	/	108*64*88mm



Page 114

DALI Dimmer

Model	Power	Input Voltage	Output Current	Output Voltage	Efficiency	Power Factor	Size (L*W*H)
ER-T-DALI-2 DT8 JQ-01 A	0.8W	16V	50mA	16V	/	/	80*80*28mm



Page 115

DALI Panel

Model	Power	Input Voltage	Output Current	Output Voltage	Efficiency	Power Factor	Size (L*W*H)
ER-SP-DALI-2 06-A	/	16V	/	/	/	/	86*86*38mm



Page 116

DALI Sensor

Model	Power	Input Voltage	Output Current	Output Voltage	Efficiency	Power Factor	Size (L*W*H)
ER-BS-DALI-2 01-A	/	16V	/	/	/	/	Φ38*46.3mm



Page 117

OTHERS

Optional Accessories

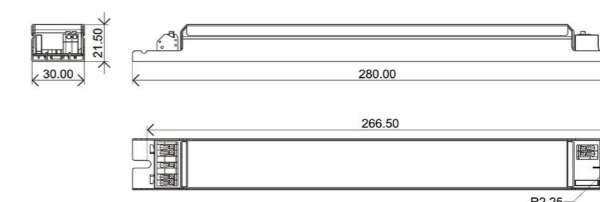
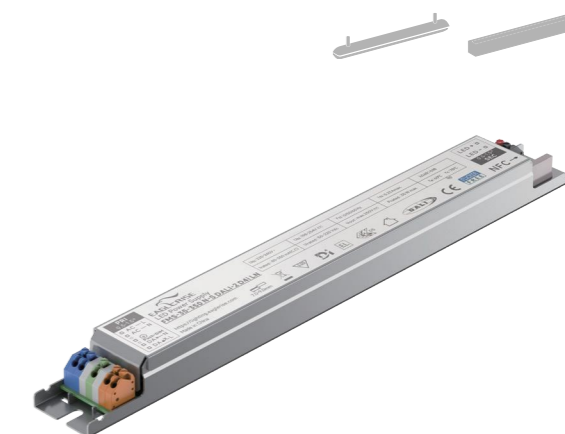
Page 118

LED DRIVER LINEAR SERIES

Application:
Linear light
Tri-proof light

Linear - Non Isolated Intelligent Series D4i+DALI-2+NFC

- For luminaire of protection class I
- Non Isolated / Built-in
- Input Voltage 220-240 VAC
- Protection: SCP/ OLP/ OVP/ OTP
- DALI dimming
- DALI-2 Parts 250, 251, 252 and 253
- Output current adjust via NFC
- Integrated bus power supply
- Suitable for emergency lighting acc. to EN 50172
- 5 years warranty
- Ta, Tc: 60°C/ 85°C

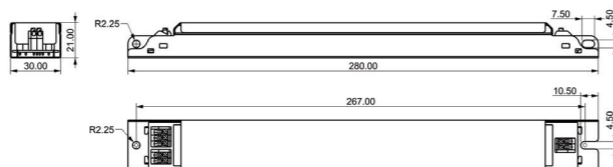
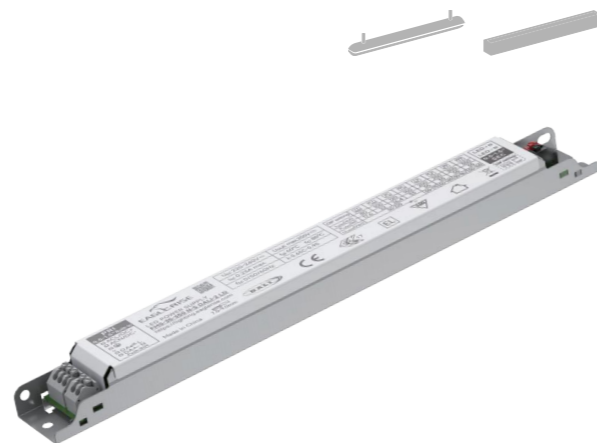


Model	Power	Input Voltage	Output Current	Output Voltage	Efficiency	Power Factor	Size (L*W*H)
FMS-35-350 N-S DALI-2 D4i LN	35W	220-240VAC	80-350mA	50-220V	92%	0.95	280*30*21mm
FMS-75-500 N-S DALI-2 D4i LN	75W	220-240VAC	150-500mA	50-220V	93%	0.95	360*30*21mm
FMS-100-1050 N-S DALI-2 D4i LN	100W	220-240VAC	300-1050mA	50-220V	94%	0.95	360*30*21mm
FMS-150-1050 N-S DALI-2 D4i LN	150W	220-240VAC	300-1050mA	50-220V	95%	0.95	360*30*21mm

Linear - Non Isolated Intelligent Series

DALI-2+DIP Switch

- For luminaire of protection class I and class II
- Non Isolated / Built-in / Independent
(With side caps)
- Input Voltage 220-240 VAC
- Protection: SCP/ OLP/ OVP/ OTP
- DALI dimming, Push Dimming, Corridor mode
- DALI-2 Parts 251, 252 and 253
- Dimming range 1% to 100%
- Output current adjust via dip-switch;
16 current steps
- ZHAGA protocol
- Efficiency > 95%; Power Factor > 0.95
- Suitable for emergency lighting acc.
to EN 50172
- 5 years warranty
- Ta, Tc: 60°C/ 80°C

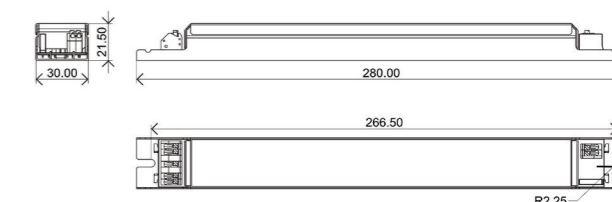
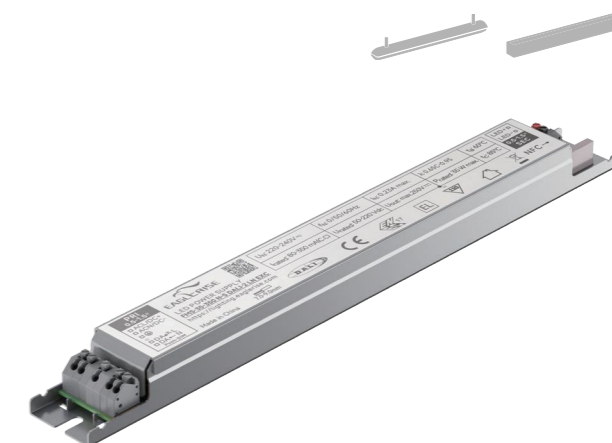


Model	Power	Input Voltage	Output Current	Output Voltage	Efficiency	Power Factor	Size (L*W*H)
FMS-35-350 N-S DALI-2 LD	35W	220-240VAC	80-350mA	50-220V	92%	0.95	280*30*21mm
FMS-75-500 N-S DALI-2 LD	75W	220-240VAC	150-500mA	50-220V	93%	0.95	280*30*21mm
FMS-100-1050 N-S DALI-2 LD	100W	220-240VAC	300-1050mA	50-220V	94%	0.95	280*30*21mm
FMS-150-1050 N-S DALI-2 LD	150W	220-240VAC	300-1050mA	50-220V	95%	0.95	280*30*21mm

Linear - Non Isolated Intelligent Series

DALI-2+NFC

- For luminaire of protection class I and class II
- Non Isolated / Built-in
- Input Voltage 220-240 VAC
- Protection: SCP/ OLP/ OVP/ OTP
- DALI dimming, Push Dimming, Corridor mode
- DALI-2 Parts 251, 252 and 253
- Dimming range 1% to 100%
- Output current adjust via NFC
- ZHAGA protocol
- Efficiency > 95%; Power Factor > 0.95
- Suitable for emergency lighting acc.
to EN 50172
- 5 years warranty
- Ta, Tc: 60°C/ 80°C

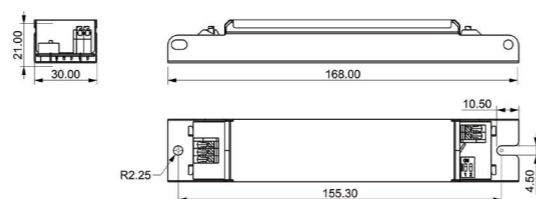


Model	Power	Input Voltage	Output Current	Output Voltage	Efficiency	Power Factor	Size (L*W*H)
FMS-35-350 N-S DALI-2 LN EXC	35W	220-240VAC	80-350mA	50-220V	92%	0.95	280*30*21mm
FMS-75-500 N-S DALI-2 LN EXC	75W	220-240VAC	150-500mA	50-220V	93%	0.95	280*30*21mm
FMS-100-1050 N-S DALI-2 LN EXC	100W	220-240VAC	300-1050mA	50-220V	94%	0.95	280*30*21mm
FMS-150-1050 N-S DALI-2 LN EXC	150W	220-240VAC	300-1050mA	50-220V	95%	0.95	280*30*21mm

Linear - Non Isolated Series

ON/OFF (Dip switch)

- For luminaries of protection Class I or II
- Non-isolated, Built-in
- Input Voltage: 220-240VAC
- Protections: SCP/OVP/OLP/OTP
- Output current adjusted via dip-switch
- Power Factor: 0.95(Typ.)
- Efficiency: 94%
- 5 years warranty
- IP20
- Suitable for emergency lighting acc. to EN 50172
- Ta, Tc: 50°C/ 85°C

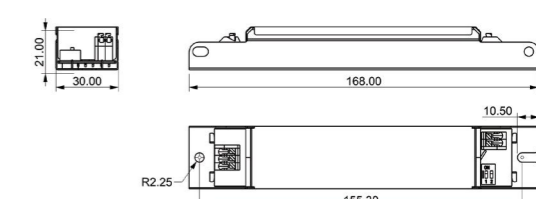
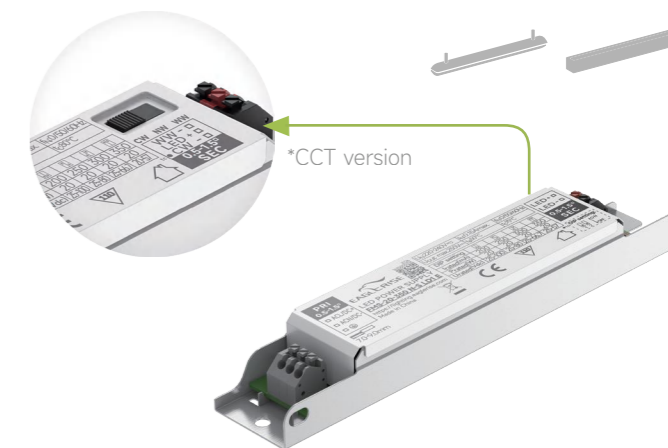


Model	Power	Input Voltage	Output Current	Output Voltage	Efficiency	Power Factor	Size (L*W*H)
FMS-20-350 N-S LD2 E	20W	220-240VAC	200-350mA	25-100V	86%	0.95	168*30*21mm
FMS-40-350 N-S LD2 E	40W	220-240VAC	200-350mA	40-200V	90%	0.95	168*30*21mm
FMS-60-350 N-S LD2 E	60W	220-240VAC	200-350mA	70-200V	92%	0.95	190*30*21mm
FMS-80-350 N-S LD2 E	80W	220-240VAC	200-350mA	40-220V	94%	0.95	210*30*21mm

Linear - Non Isolated Series

ON/OFF (Dip switch)

- For luminaire of protection class I and class II
- Non Isolated / Built-in
- Input Voltage 220-240 VAC
- Protection: SCP/ OLP/ OVP/ OTP
- Output current adjusted via dip-switch; 4 current steps
- Efficiency>95%
- Power Factor > 0.95
- Suitable for emergency lighting acc. to EN 50172
- 5 years warranty
- Ta, Tc: 60°C/ 80°C
- CCT version: flexible CCT setting via 3-way DIP switch

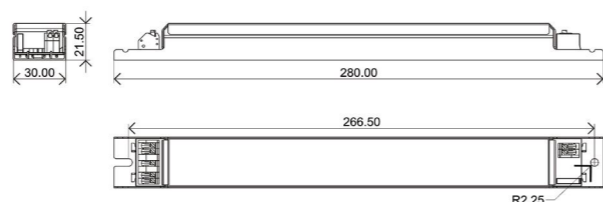
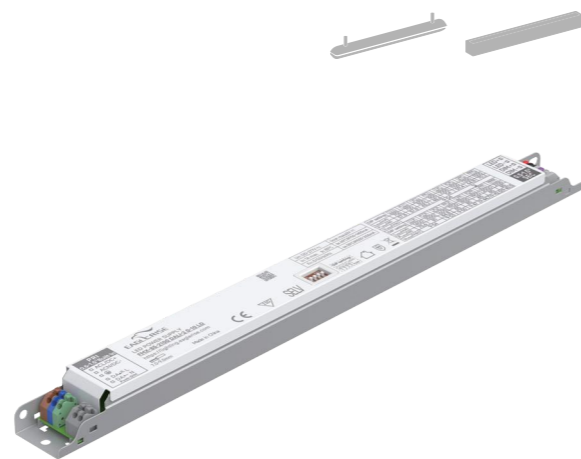


Model	Power	Input Voltage	Output Current	Output Voltage	Efficiency	Power Factor	Size (L*W*H)
FMS-20-350 N-S LD1 E	20W	220-240VAC	200-350mA	25-100V	86%	0.90	168*30*21mm
FMS-20-350 N-S CCT LD EXC	20W	220-240VAC	200-350mA	25-100V	86%	0.90	168*30*21mm
FMS-40-350 N-S LD1 E	40W	220-240VAC	200-350mA	40-200V	90%	0.90	168*30*21mm
FMS-40-350 N-S CCT LD EXC	40W	220-240VAC	200-350mA	40-200V	90%	0.95	168*30*21mm
FMS-60-350 N-S LD1 E	60W	220-240VAC	200-350mA	70-200V	92%	0.95	190*30*21mm
FMS-60-350 N-S CCT LD EXC	60W	220-240VAC	200-350mA	70-200V	92%	0.95	190*30*21mm
FMS-80-350 N-S LD1 E	80W	220-240VAC	200-350mA	40-220V	94%	0.95	210*30*21mm
FMS-80-350 N-S CCT LD EXC	80W	220-240VAC	200-350mA	40-220V	94%	0.95	210*30*21mm
FMS-80-550 N-S LD1 E	80W	220-240VAC	350-550mA	40-216V	93%	0.95	210*30*21mm
FMS-80-550 N-S CCT LD EXC	80W	220-240VAC	350-550mA	40-216V	93%	0.95	210*30*21mm
FMS-100-500 N-S LD1 E	100W	220-240VAC	350-500mA	40-220V	95%	0.95	280*30*21mm
FMS-100-500 N-S CCT LD EXC	100W	220-240VAC	350-500mA	40-220V	95%	0.95	280*30*21mm
FMS-150-700 N-S LD1 E	150W	220-240VAC	550-700mA	40-220V	95%	0.95	280*30*21mm
FMS-150-700 N-S CCT LD EXC	150W	220-240VAC	550-700mA	40-220V	95%	0.95	280*30*21mm

Linear - Isolated Intelligent Series

DALI-2+0-10V

- For luminaires of protection Class I or II
- SELV / Built-in / Independent (With side caps)
- Input Voltage 120-277VAC
- Protections: SCP/OLP/OVP/OTP
- Adjustable Output Current with dip-switch
- Support DALI-2, Push, 0-10, Rx, PWM dimming
- Suitable for emergency lighting acc. to EN 50172
- DALI-2 Parts 251, 252 and 253
- Dimming range 1% to 100%
- ZHAGA protocol
- EOFi=15%
- 5 years warranty
- Ta, Tc: 60°C/ 85°C

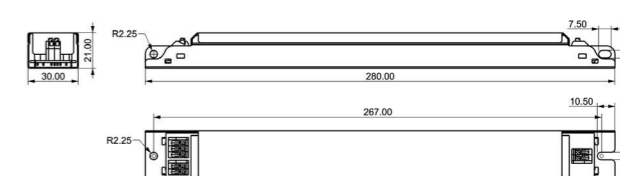
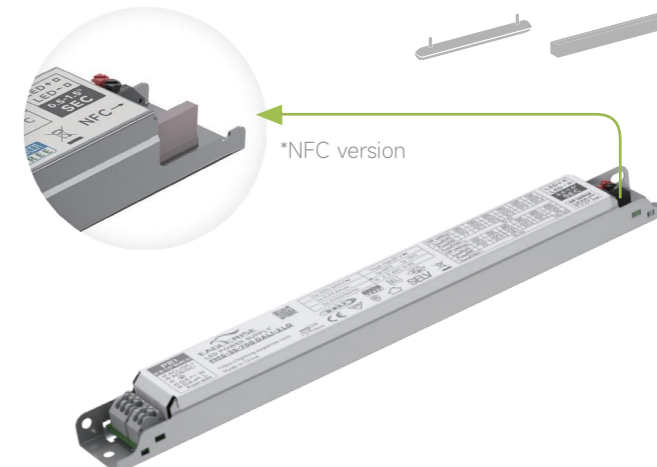


Model	Power	Input Voltage	Output Current	Output Voltage	Efficiency	Power Factor	Size (L*W*H)
FMX-35-700 DALI-2 0-10 LD	35W	120-277VAC	150-700mA	9-54V	90%	0.95	280*30*21mm
FMX-50-1050 DALI-2 0-10 LD	50W	120-277VAC	300-1050mA	9-54V	90%	0.95	280*30*21mm
FMX-85-2100 DALI-2 0-10 LD	85W	120-277VAC	700-2100mA	9-54V	90%	0.95	360*30*21mm

Linear - Isolated Intelligent Series

DALI-2+Dip switch

- For luminaire of protection class I and class II
- Isolated / SELV / Built-in / Independent (LD version with side caps)
- Input Voltage 220-240 VAC
- Protection: SCP/ OLP/ OVP/ OTP
- DALI dimming, Push Dimming, Corridor mode
- DALI-2 Parts 251, 252 and 253
- Dimming range 1% to 100%
- ZHAGA protocol
- Efficiency > 90% ; Power Factor > 0.95
- Suitable for emergency lighting acc. to EN 50172
- 5 years warranty
- Ta, Tc: 60°C/ 85°C
- LD: Output current adjusted via dip-switch; 16 current steps
- LN: Output current adjusted via NFC

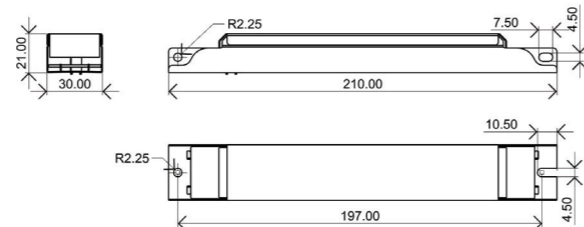
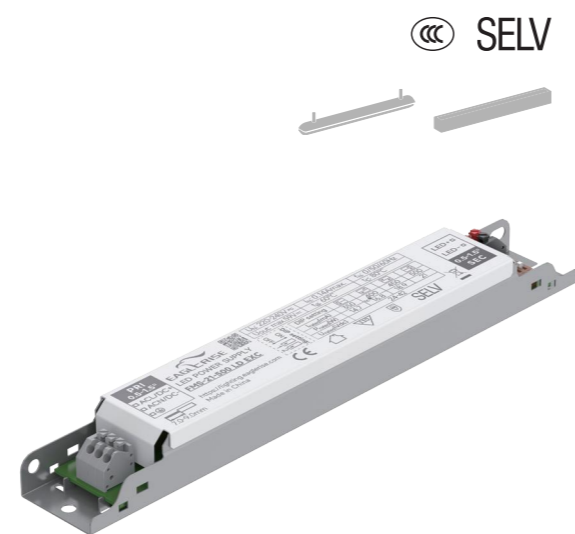


Model	Power	Input Voltage	Output Current	Output Voltage	Efficiency	Power Factor	Size (L*W*H)
FMS-35-700 DALI-2 LD	35W	220-240VAC	100-700mA	15-51V	90%	0.95	280*30*21mm
FMS-35-700 DALI-2 LN	35W	220-240VAC	150-700mA	15-51V	90%	0.95	280*30*21mm
FMS-50-1050 DALI-2 LD	50W	220-240VAC	350-1050mA	15-51V	90%	0.95	280*30*21mm
FMS-50-1050 DALI-2 LN	50W	220-240VAC	350-1050mA	15-51V	90%	0.95	280*30*21mm
FMS-75-1800 DALI-2 LD	75W	220-240VAC	1050-1800mA	15-51V	90%	0.95	280*30*21mm
FMS-75-1800 DALI-2 LN	75W	220-240VAC	1050-1800mA	15-51V	90%	0.95	280*30*21mm

Linear - Isolated Series

ON/OFF (Dip switch)

- For luminaire of protection class I and class II
- Isolated / SELV / Built-in
- Input Voltage 220-240 VAC
- Protection: SCP/ OLP/ OVP/ OTP
- Output current adjusted via dip-switch ;
4 current steps
- Efficiency > 91% ; Power Factor > 0.95
- Suitable for emergency lighting acc. to EN 50172
- 5 years warranty
- Ta, Tc: 60°C/ 80°C

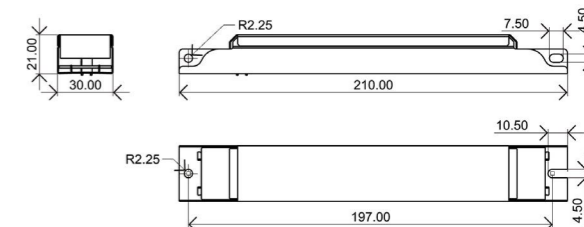
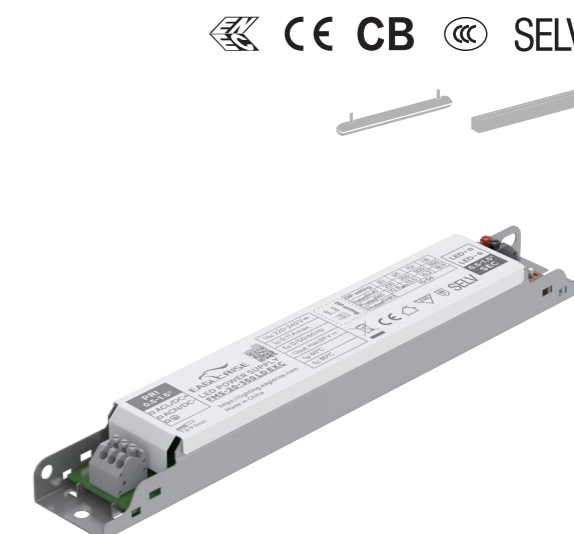


Model	Power	Input Voltage	Output Current	Output Voltage	Efficiency	Power Factor	Size (L*W*H)
FMS-21-500 LD EXC	21W	220-240VAC	350-500mA	24-42V	88%	0.95	210*30*21mm
FMS-30-750 LD EXC	30W	220-240VAC	600-750mA	24-42V	90%	0.95	210*30*21mm
FMS-42-1050 LD EXC	42W	220-240VAC	700-1050mA	24-42V	90%	0.95	210*30*21mm
FMS-60-1500 LD1 EXC	60W	220-240VAC	1150-1500mA	24-42V	90%	0.95	280*30*21mm
FMS-80-2000 LD1 EXC	80W	220-240VAC	1500-2000mA	24-42V	91%	0.95	280*30*21mm

Linear - Isolated Series

ON/OFF (Dip switch)

- For luminaire of protection class I and class II
- Isolated / SELV / Built-in
- Input Voltage 220-240 VAC
- Protection: SCP/ OLP/ OVP/ OTP
- Output current adjusted via dip-switch ;
4 current steps
- Efficiency > 91% ; Power Factor > 0.95
- Suitable for emergency lighting acc. to EN 50172
- 5 years warranty
- Ta, Tc: 60°C/ 80°C



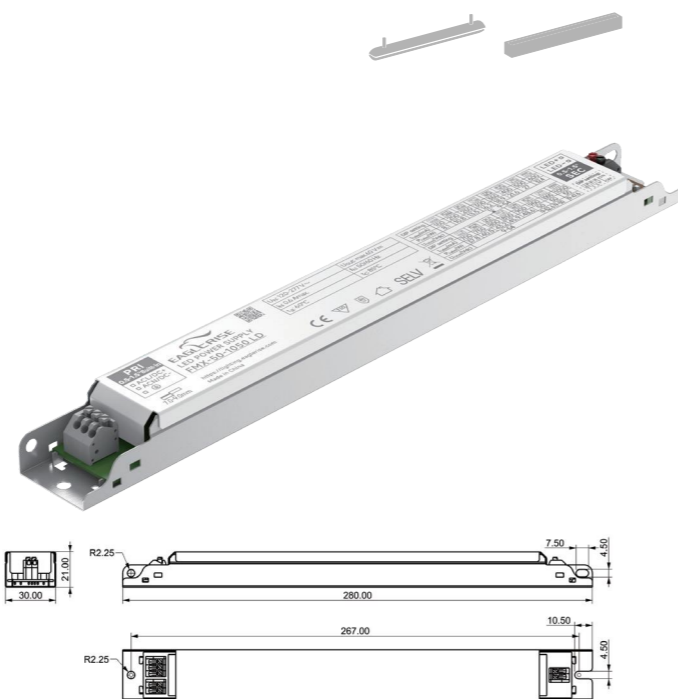
Model	Power	Input Voltage	Output Current	Output Voltage	Efficiency	Power Factor	Size (L*W*H)
FMS-20-350 LD EXC	20W	220-240VAC	200-350mA	15-51V	88%	0.95	210*30*21mm
FMS-24-500 LD EXC	24W	220-240VAC	350-500mA	15-51V	88%	0.95	210*30*21mm
FMS-35-650 LD EXC	35W	220-240VAC	500-650mA	15-51V	90%	0.95	210*30*21mm
FMS-40-1050 LD EXC	40W	220-240VAC	700-1050mA	15-51V	90%	0.95	210*30*21mm
FMS-60-1200 LD EXC	60W	220-240VAC	850-1200mA	15-51V	91%	0.95	280*30*21mm
FMS-60-1500 LD EXC	60W	220-240VAC	1150-1500mA	15-51V	90%	0.95	280*30*21mm
FMS-75-1500 LD EXC	75W	220-240VAC	1150-1500mA	15-51V	91%	0.95	280*30*21mm
FMS-80-2000 LD EXC	80W	220-240VAC	1500-2000mA	15-51V	91%	0.95	280*30*21mm

Linear - Isolated Series

ON/OFF (Dip switch)

- For luminaires of protection Class I or II
- Isolated / SELV / Built-in / Independent(With side caps)
- Input Voltage 120-277VAC
- Protections: SCP/OLP/OVP/OTP
- Power Factor: 0.95
- Efficiency : 90%
- Adjustable Output Current with dip-switch
- Suitable for emergency lighting acc. to EN 50172
- EOfi=15%
- 5 years warranty
- Ta, Tc: 60°C/ 80°C

CE CB CCC UL EL SELV



Model	Power	Input Voltage	Output Current	Output Voltage	Efficiency	Power Factor	Size (L*W*H)
FMX-50-1050 LD	50W	120-277VAC	150-1050mA	9-54V	90%	0.95	280*30*21mm
FMX-85-2100 LD	85W	120-277VAC	700-2100mA	9-54V	90%	0.95	280*30*21mm

LED DRIVER COMPACT SERIES

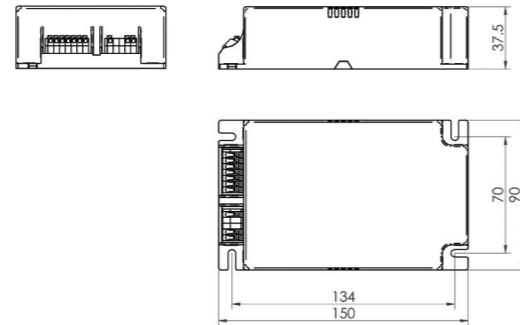
Application:
Ceiling light
Panel light
Downlight and spotlight

Compact - Intelligent Series

D4i

COMPACT

- For luminaire of protection class II
- Built-in / SELV / Independent
- Input Voltage 220-240 VAC
- Protection: SCP/ OLP/ OVP/ OTP
- DALI dimming
- DALI-2 parts 250, 251, 525 and 253
- Suitable for emergency lighting acc. to EN 50172
- Efficiency > 93%
- Power Factor > 0.95
- 5 years warranty
- Ta, Tc: 60°C / 85°C



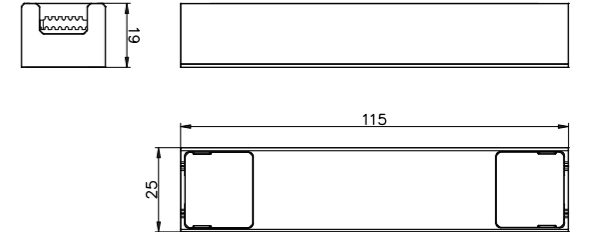
Model	Power	Input Voltage	Output Current	Output Voltage	Efficiency	Power Factor	Size (L*W*H)
FSS-24-1050 DALI-2 D4i LN	24W	220-240VAC	200-1050mA	19-39V	86%	0.95	123*77*31mm
FSS-40-1050 DALI-2 D4i LN	40W	220-240VAC	200-1050mA	22-77V	91%	0.95	123*77*31mm
FSS-75-1050 DALI-2 D4i LN	75W	220-240VAC	200-1050mA	25-107V	91%	0.95	133*77*31mm
FSS-110-1050 DALI-2 D4i LN	110W	220-240VAC	200-1050mA	48-157V	92%	0.95	150*90*37.5mm
FSS-200-1050 DALI-2 D4i LN	200W	220-240VAC	200-1050mA	169-355V	93%	0.95	170*100*40mm

Compact - Intelligent Series

DALI-2 0.1% dimming depth

COMPACT

- For luminaires of protection Class II
- Isolated / SELV / Independent
- Input Voltage: 220-240VAC
- Protections: SCP/OLP/OVP/OTP
- Fits through a 30mm aperture
- Dimming depth: 0.1%
- DALI-2 parts 251, 252, 253
- Suitable for emergency lighting acc. to EN 50172
- Power factor > 0.9
- Output current adjust via NFC
- 5 years warranty
- Ta, Tc: 45°C/ 75°C

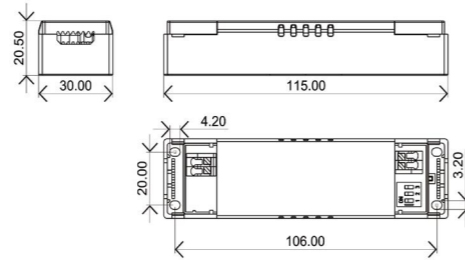
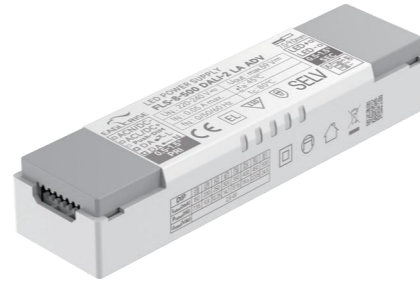


Model	Power	Input Voltage	Output Current	Output Voltage	Efficiency	Power Factor	Size (L*W*H)
FLS-8-700 DALI-2 LN ADV S	8W	220-240VAC	150-700mA	6-42V	84%	0.9	115*25*19mm

Compact - Intelligent Series

DALI-2

- For luminaires of protection Class II
- Isolated / SELV / Independent
- Input Voltage: 220-240VAC
- Protections: SCP/OLP/OVP/OTP
- Power Factor : > 0.95
- Efficiency: 85%
- Support DALI-2, Push Dimming
- Suitable for emergency lighting acc. to EN 50172
- 5 years warranty
- Ta, Tc: 45°C/ 80°C

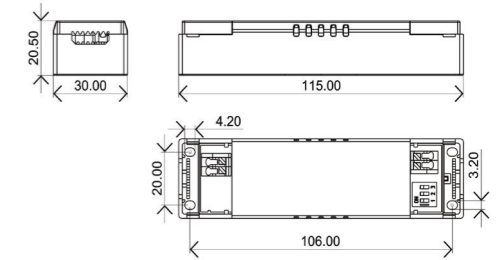
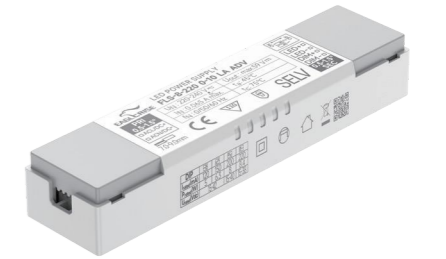


Model	Power	Input Voltage	Output Current	Output Voltage	Efficiency	Power Factor	Size (L*W*H)
FLS-8-500 DALI-2 LA ADV	8W	220-240VAC	150-500mA	2.5-49V	84%	0.95	115*30*20.5mm
FLS-12-700 DALI-2 LA ADV	12W	220-240VAC	500-700mA	2.5-24V	84%	0.95	115*30*20.5mm
FLS-16-450 DALI-2 LA ADV	16W	220-240VAC	100-450mA	2.5-42V	85%	0.95	115*30*20.5mm

Compact - Intelligent Series

0-10V

- For luminaires of protection Class II
- Isolated / SELV / Independent
- Input Voltage 220-240VAC
- Protections: SCP/OLP/OVP/OTP
- Power Factor : 0.95
- Efficiency : 83%
- Support 0-10V, RX, PWM Dimming
- 5 years warranty
- IP20
- Ta, Tc: 45°C/ 75°C



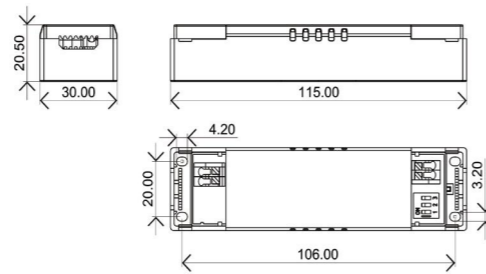
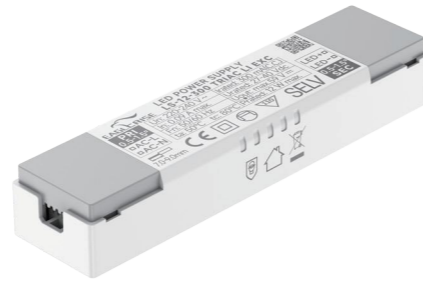
Model	Power	Input Voltage	Output Current	Output Voltage	Efficiency	Power Factor	Size (L*W*H)
FLS-8-220 0-10 LA ADV	8W	220-240VAC	120-220mA	15-42V	83%	0.95	115*30*20.5mm
FLS-12-330 0-10 LA ADV	12W	220-240VAC	250-330mA	15-42V	84%	0.95	115*30*20.5mm
FLS-12-350 0-10 LA ADV	12W	220-240VAC	120-350mA	15-42V	84%	0.95	115*30*20.5mm

Compact - Intelligent Series

Triac

- For luminaires of protection Class II, SELV, Independent
- Input Voltage: 220-240VAC
- Protections: SCP/OLP/OVP/OTP
- Power Factor : 0.95C @Full Load, 230VAC
- Efficiency: 83%
- 5 years warranty
- IP20
- Ta, Tc: 50°C/ 85°C

CE CB SELV



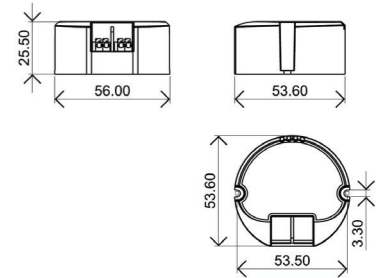
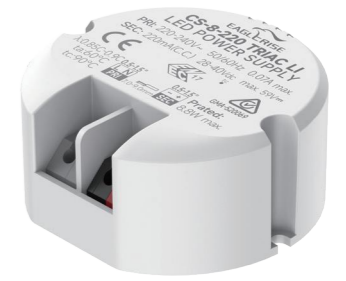
Model	Power	Input Voltage	Output Current	Output Voltage	Efficiency	Power Factor	Size (L*W*H)
LS-8-120 TRIAC LI EXC	8W	220-240VAC	120mA	27-40V	75%	0.9	115*30*20.5mm
LS-8-200 TRIAC LI EXC	8W	220-240VAC	200mA	27-40V	80%	0.9	115*30*20.5mm
LS-8-220 TRIAC LI EXC	8W	220-240VAC	220mA	27-40V	83%	0.9	115*30*20.5mm
LS-12-250 TRIAC LI EXC	12W	220-240VAC	250mA	27-40V	83%	0.95	115*30*20.5mm
LS-12-300 TRIAC LI EXC	12W	220-240VAC	300mA	27-40V	83%	0.95	115*30*20.5mm
LS-12-350 TRIAC LI EXC	12W	220-240VAC	350mA	27-40V	83%	0.95	115*30*20.5mm

Compact - Intelligent Series

Triac

- For luminaire of protection class II
- Isolated / SELV / Built-in
- Input Voltage 220-240 VAC
- Protection: SCP/ OLP/ OVP/ OTP
- Efficiency>85% ; Power Factor > 0.95
- Full range of double positioning hole design
- Dimmable via leading edge and trailing edge phase dimmers
- 5 years warranty
- Ta, Tc: 60°C/ 90°C

CE CB SELV



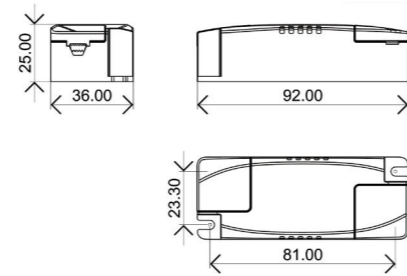
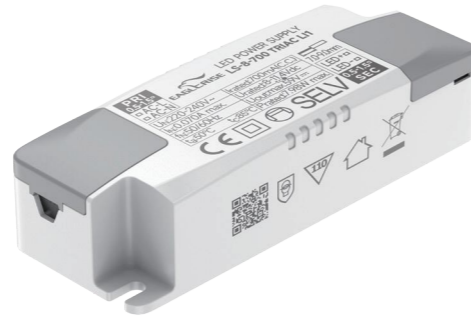
Model	Power	Input Voltage	Output Current	Output Voltage	Efficiency	Power Factor	Size (L*W*H)
CS-8-100 TRIAC LI	8W	220-240VAC	100mA	28-40V	78%	0.90	Φ56*25.5mm
CS-8-120 TRIAC LI	8W	220-240VAC	120mA	28-40V	80%	0.90	Φ56*25.5mm
CS-8-150 TRIAC LI	8W	220-240VAC	150mA	28-40V	80%	0.95	Φ56*25.5mm
CS-8-180 TRIAC LI	8W	220-240VAC	180mA	28-40V	80%	0.95	Φ56*25.5mm
CS-8-200 TRIAC LI	8W	220-240VAC	200mA	28-40V	80%	0.95	Φ56*25.5mm
CS-8-220 TRIAC LI	8W	220-240VAC	220mA	28-40V	80%	0.95	Φ56*25.5mm
CS-15-250 TRIAC LI	15W	220-240VAC	250mA	28-40V	82%	0.95	Φ65*25mm
CS-15-280 TRIAC LI	15W	220-240VAC	280mA	28-40V	82%	0.95	Φ65*25mm
CS-15-300 TRIAC LI	15W	220-240VAC	300mA	28-40V	82%	0.95	Φ65*25mm
CS-15-350 TRIAC LI	15W	220-240VAC	350mA	28-40V	82%	0.95	Φ65*25mm
CS-22-400...550 TRIAC LI	22W	220-240VAC	400...550mA(every 50mA)	28-40V	85%	0.95	Φ65*25mm
CS-36-600...900 TRIAC LI	36W	220-240VAC	600...900mA(every 50mA)	28-40V	85%	0.95	Φ75*26mm

Compact - Intelligent Series

Triac

- For luminaire of protection class II
- Isolated / SELV / Independent
- Input Voltage 220-240 VAC
- Protection: SCP/ OLP/ OVP/ OTP
- Efficiency > 80% ; Power Factor > 0.95
- Dimmable via leading edge and trailing edge phase dimmers
- 5 years warranty
- Ta, Tc: 50°C/ 85°C

CE CB CCC SAA SELV



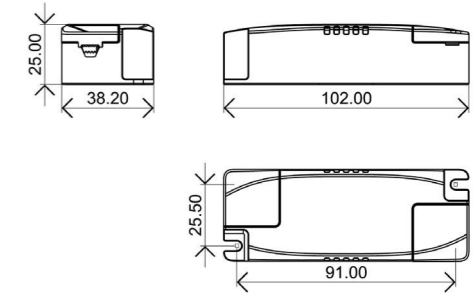
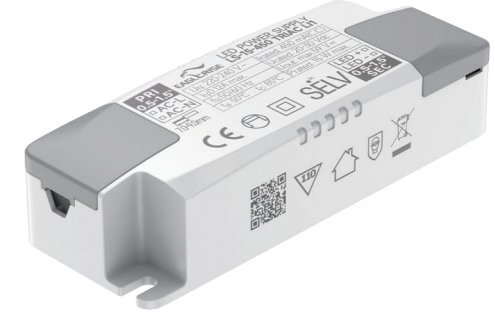
	Power	Input Voltage	Output Current	Output Voltage	Efficiency	Power Factor	Size (L*W*H)
LS-8-100 TRIAC LI1	8W	220-240VAC	100mA	28-40V	78%	0.90	92*36*25mm
LS-8-120 TRIAC LI1	8W	220-240VAC	120mA	28-40V	80%	0.90	92*36*25mm
LS-8-150 TRIAC LI1	8W	220-240VAC	150mA	28-40V	80%	0.95	92*36*25mm
LS-8-180 TRIAC LI1	8W	220-240VAC	180mA	28-40V	80%	0.95	92*36*25mm
LS-8-200 TRIAC LI1	8W	220-240VAC	200mA	28-40V	80%	0.95	92*36*25mm
LS-8-220 TRIAC LI1	8W	220-240VAC	220mA	28-40V	80%	0.95	92*36*25mm
LS-8-250 TRIAC LI1	8W	220-240VAC	250mA	18-24V	80%	0.95	92*36*25mm
LS-8-300 TRIAC LI1	8W	220-240VAC	300mA	18-24V	80%	0.95	92*36*25mm
LS-8-350 TRIAC LI1	8W	220-240VAC	350mA	18-24V	80%	0.95	92*36*25mm
LS-8-700 TRIAC LI1	8W	220-240VAC	700mA	8-11.4V	76%	0.95	92*36*25mm

Compact - Intelligent Series

Triac

- For luminaire of protection class II
- Isolated / SELV / Independent
- Input Voltage 220-240 VAC
- Protection: SCP/ OLP/ OVP/ OTP
- Efficiency > 85% ; Power Factor > 0.95
- Dimmable via leading edge and trailing edge phase dimmers
- 5 years warranty
- Ta, Tc: 50°C/ 85°C

CE CB CCC SELV

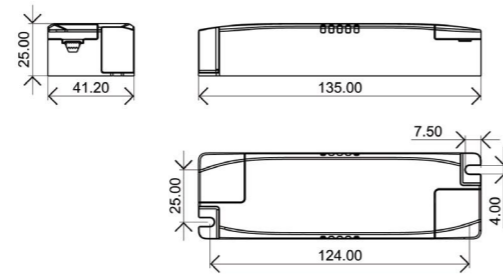


Model	Power	Input Voltage	Output Current	Output Voltage	Efficiency	Power Factor	Size (L*W*H)
LS-15-250...350 TRIAC LI1	15W	220-240VAC	250/280/300/350mA	28-40V	82%	0.95	102*38.2*25mm
LS-15-400 TRIAC LI1	15W	220-240VAC	400mA	25-38V	82%	0.95	102*38.2*25mm
LS-15-450 TRIAC LI1	15W	220-240VAC	450mA	22-33V	82%	0.95	102*38.2*25mm
LS-15-500 TRIAC LI1	15W	220-240VAC	500mA	20-30V	82%	0.95	102*38.2*25mm
LS-15-550 TRIAC LI1	15W	220-240VAC	550mA	17-27V	82%	0.95	102*38.2*25mm
LS-15-600 TRIAC LI1	15W	220-240VAC	600mA	16-25V	82%	0.95	102*38.2*25mm
LS-15-650 TRIAC LI1	15W	220-240VAC	650mA	16-23V	82%	0.95	102*38.2*25mm
LS-15-700 TRIAC LI1	15W	220-240VAC	700mA	14-22V	82%	0.95	102*38.2*25mm
LS-20-300 TRIAC LI1	20W	220-240VAC	300mA	50-68V	85%	0.95	102*38.2*25mm
LS-20-350 TRIAC LI1	20W	220-240VAC	350mA	40-60V	85%	0.95	102*38.2*25mm
LS-20-400...500 TRIAC LI1	20W	220-240VAC	400/450/500mA	28-40V	85%	0.95	102*38.2*25mm
LS-20-550 TRIAC LI1	20W	220-240VAC	550mA	28-38V	85%	0.95	102*38.2*25mm
LS-20-600 TRIAC LI1	20W	220-240VAC	600mA	22-34V	85%	0.95	102*38.2*25mm
LS-20-650...700 TRIAC LI1	20W	220-240VAC	650/700mA	20-30V	85%	0.95	102*38.2*25mm

Compact - Intelligent Series

Triac

- For luminaire of protection class II
- Isolated / SELV / Independent
- Input Voltage 220-240 VAC
- Protection: SCP/ OLP/ OVP/ OTP
- Efficiency > 87% ; Power Factor > 0.95
- Dimmable via leading edge and trailing edge phase dimmers
- 5 years warranty
- Ta, Tc: 45°C/ 85°C

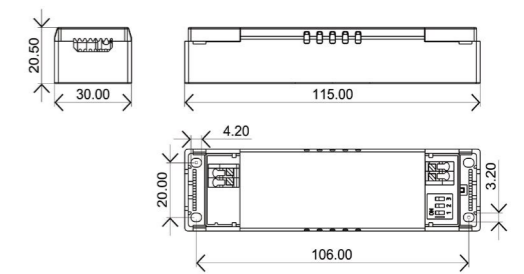
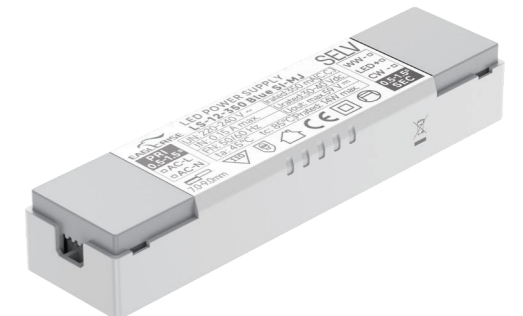


Model	Power	Input Voltage	Output Current	Output Voltage	Efficiency	Power Factor	Size (L*W*H)
LS-30-600 TRIAC LI1	30W	220-240VAC	600mA	35-50V	86%	0.95	135*41*25mm
LS-30-650 TRIAC LI1	30W	220-240VAC	650mA	30-45V	86%	0.95	135*41*25mm
LS-30-700 TRIAC LI1	30W	220-240VAC	700mA	28-42V	86%	0.95	135*41*25mm
LS-30-750 TRIAC LI1	30W	220-240VAC	750mA	28-40V	86%	0.95	135*41*25mm
LS-30-800 TRIAC LI1	30W	220-240VAC	800mA	28-40V	86%	0.95	135*41*25mm
LS-30-850 TRIAC LI1	30W	220-240VAC	850mA	24-37V	86%	0.95	135*41*25mm
LS-30-900 TRIAC LI1	30W	220-240VAC	900mA	22-34V	86%	0.95	135*41*25mm
LS-40-700 TRIAC LI1	40W	220-240VAC	700mA	36-54V	87%	0.95	135*41*25mm
LS-40-750 TRIAC LI1	40W	220-240VAC	750mA	35-53V	87%	0.95	135*41*25mm
LS-40-800 TRIAC LI1	40W	220-240VAC	800mA	33-50V	87%	0.95	135*41*25mm
LS-40-850 TRIAC LI1	40W	220-240VAC	850mA	31-47V	87%	0.95	135*41*25mm
LS-40-900 TRIAC LI1	40W	220-240VAC	900mA	27-42V	87%	0.95	135*41*25mm
LS-40-950 TRIAC LI1	40W	220-240VAC	950mA	28-40V	87%	0.95	135*41*25mm
LS-40-1000 TRIAC LI1	40W	220-240VAC	1000mA	28-40V	87%	0.95	135*41*25mm
LS-40-1050 TRIAC LI1	40W	220-240VAC	1050mA	28-40V	87%	0.95	135*41*25mm

Compact - Intelligent Series

Wireless

- For luminaries of protection Class II
- Isolated / SELV / Independent
- Input Voltage: 220-240VAC
- Protections: OLP/OVP/OTP
- Power Factor: > 0.5
- Efficiency: 85%
- 5 years warranty
- IP20
- Ta, Tc: 50°C/ 85°C



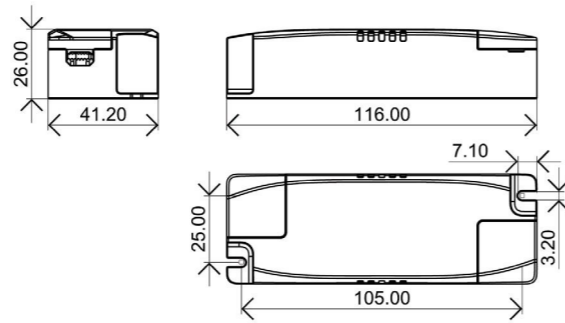
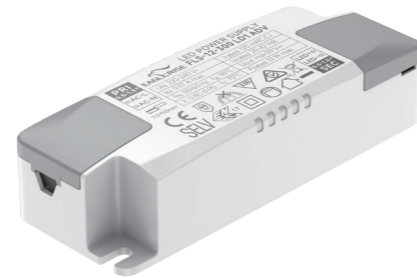
Model	Power	Input Voltage	Output Current	Output Voltage	Efficiency	Power Factor	Size (L*W*H)
LS-8-100 Blue SI-MJ	8W	220-240VAC	100mA	30-40V	75%	0.5	115*30*20.5mm
LS-8-120 Blue SI-MJ	8W	220-240VAC	120mA	30-40V	75%	0.5	115*30*20.5mm
LS-8-160 Blue SI-MJ	8W	220-240VAC	160mA	30-40V	80%	0.5	115*30*20.5mm
LS-8-180 Blue SI-MJ	8W	220-240VAC	180mA	30-40V	80%	0.5	115*30*20.5mm
LS-8-200 Blue SI-MJ	8W	220-240VAC	200mA	30-40V	80%	0.5	115*30*20.5mm
LS-8-235 Blue SI-MJ	8W	220-240VAC	235mA	30-40V	80%	0.5	115*30*20.5mm
LS-12-250 Blue SI-MJ	12W	220-240VAC	250mA	30-40V	84%	0.5	115*30*20.5mm
LS-12-280 Blue SI-MJ	12W	220-240VAC	280mA	30-40V	84%	0.5	115*30*20.5mm
LS-12-300 Blue SI-MJ	12W	220-240VAC	300mA	30-40V	84%	0.5	115*30*20.5mm
LS-12-350 Blue SI-MJ	12W	220-240VAC	350mA	30-40V	85%	0.5	115*30*20.5mm

Compact Series

High eff. (Dip switch)

- For luminaire of protection class II
- Isolated / SELV / Independent
- Input Voltage 220-240 VAC
- Protection: SCP/ OLP/ OVP
- Efficiency > 94%
- Power Factor > 0.95
- Suitable for emergency lighting acc. to EN 50172
- 5 years warranty
- Ta, Tc: 45°C / 80°C

CE CB CC EL SELV



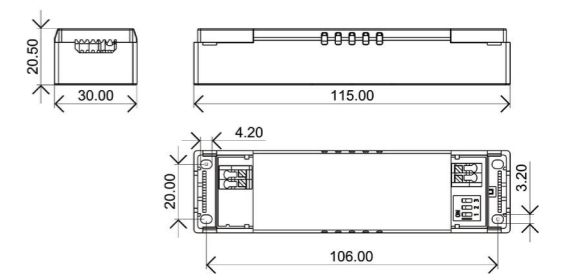
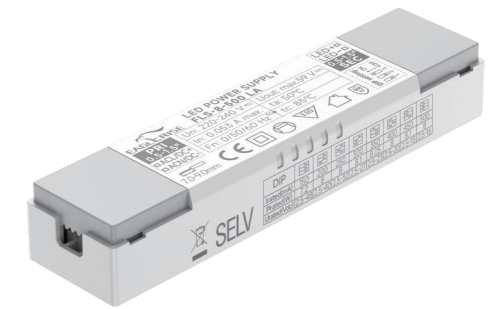
Model	Power	Input Voltage	Output Current	Output Voltage	Efficiency	Power Factor	Size (L*W*H)
FLS-15-350 LD1 ADV	15W	220-240VAC	200-350mA	28-40V	92%	0.95	116*41.2*26mm
FLS-21-500 LD1 ADV	21W	220-240VAC	350-500mA	28-40V	93%	0.95	116*41.2*26mm
FLS-30-750 LD1 ADV	30W	220-240VAC	600-750mA	28-40V	94%	0.95	116*41.2*26mm
FLS-40-1050 LD1 ADV	40W	220-240VAC	700-1050mA	28-40V	94%	0.95	116*41.2*26mm

Compact Series

Slim

- For luminaires of protection Class II
- Isolated / SELV / Independent
- Input Voltage: 220-240VAC
- Protections: SCP/OLP/OVP/OTP
- Power Factor: ≥ 0.95 (Typ.)
- Efficiency: $\geq 85\%$ (Typ.)
- Adjustable Output Current with dip-switch
- Suitable for emergency lighting acc. to EN 50172
- 5 years warranty
- IP20
- Ta, Tc: 45°C/ 85°C

CE CB CC EL SELV



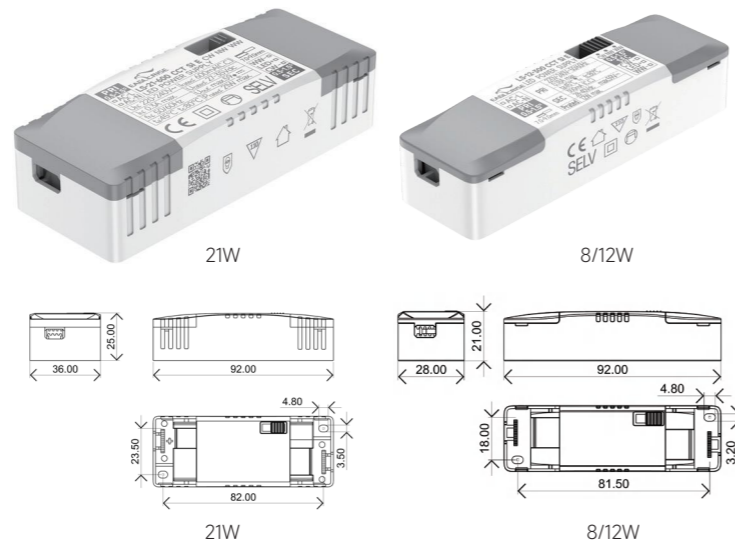
Model	Power	Input Voltage	Output Current	Output Voltage	Efficiency	Power Factor	Size (L*W*H)
FLS-8-500 LA	8W	220-240VAC	150-500mA	2.5-48V	82%	0.9	115*30*20.5mm
FLS-18-1050 LA	18W	220-240VAC	550-1050mA	2.5-33V	85%	0.95	115*30*20.5mm

Compact Series

CCT Series

- For luminaire of protection class II
- Isolated / SELV / Independent
- Input Voltage 220-240 VAC
- Protection: SCP/ OLP/ OVP/ OTP
- Low power factor and flicker-free
- Compliant with ErP 2.0
- Flexible CCT setting via 3-way DIP Switch
- Fits for a 35mm aperture
- Power Factor: 0.6
- 5 years warranty
- Ta, Tc: 45°C/ 75°C

CE CB CCC SELV



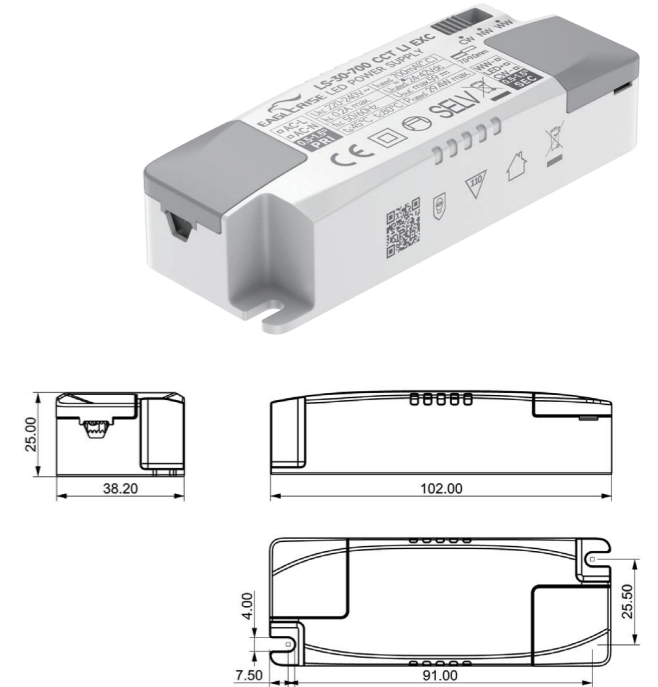
Model	Power	Input Voltage	Output Current	Output Voltage	Efficiency	Power Factor	Size (L*W*H)
LS-8-70 CCT SI E	8W	220-240VAC	70mA	30-40V	78%	0.60	92*28*21mm
LS-8-80 CCT SI E	8W	220-240VAC	80mA	30-40V	78%	0.60	92*28*21mm
LS-8-120 CCT SI E	8W	220-240VAC	120mA	30-40V	80%	0.60	92*28*21mm
LS-8-150 CCT SI E	8W	220-240VAC	150mA	30-40V	80%	0.60	92*28*21mm
LS-8-160 CCT SI E	8W	220-240VAC	160mA	30-40V	80%	0.60	92*28*21mm
LS-8-180 CCT SI E	8W	220-240VAC	180mA	30-40V	80%	0.60	92*28*21mm
LS-8-200 CCT SI E	8W	220-240VAC	200mA	30-40V	80%	0.60	92*28*21mm
LS-8-220 CCT SI E	8W	220-240VAC	220mA	30-40V	80%	0.60	92*28*21mm
LS-12-250 CCT SI E	12W	220-240VAC	250mA	30-40V	82%	0.60	92*28*21mm
LS-12-280 CCT SI E	12W	220-240VAC	280mA	30-40V	82%	0.60	92*28*21mm
LS-12-300 CCT SI E	12W	220-240VAC	300mA	30-40V	82%	0.60	92*28*21mm
LS-21-400 CCT SI E	21W	220-240VAC	400mA	30-42V	85%	0.60	92*36*25mm
LS-21-450 CCT SI E	21W	220-240VAC	450mA	30-42V	85%	0.60	92*36*25mm
LS-21-500 CCT SI E	21W	220-240VAC	500mA	30-42V	85%	0.60	92*36*25mm
LS-21-600 CCT SI E	21W	220-240VAC	600mA	27-39V	85%	0.60	92*36*25mm

Compact Series

CCT Series

- For luminaire of protection class II
- Isolated / SELV / Independent
- Input Voltage 220-240 VAC
- Protection: SCP/ OLP/ OVP/ OTP
- Low power factor and flicker-free
- Compliant with ErP 2.0
- Flexible CCT setting via 3-way DIP Switch
- Power Factor: 0.95
- 5 years warranty
- Ta, Tc: 45°C/ 75°C

CE CB CCC SELV

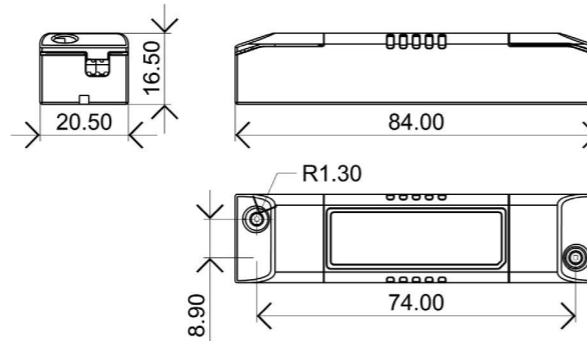


Model	Power	Input Voltage	Output Current	Output Voltage	Efficiency	Power Factor	Size (L*W*H)
LS-30-500 CCT LI EXC	30W	220-240VAC	500mA	24-42V	87%	0.95	102*38.2*25mm
LS-30-550 CCT LI EXC	30W	220-240VAC	550mA	24-42V	87%	0.95	102*38.2*25mm
LS-30-600 CCT LI EXC	30W	220-240VAC	600mA	24-42V	87%	0.95	102*38.2*25mm
LS-30-650 CCT LI EXC	30W	220-240VAC	650mA	24-42V	87%	0.95	102*38.2*25mm
LS-30-700 CCT LI EXC	30W	220-240VAC	700mA	24-42V	87%	0.95	102*38.2*25mm
LS-30-750 CCT LI EXC	30W	220-240VAC	750mA	24-42V	87%	0.95	102*38.2*25mm
LS-30-800 CCT LI EXC	30W	220-240VAC	800mA	24-42V	87%	0.95	102*38.2*25mm

Compact Series

Hot sale

- For luminaire of protection class II
- Isolated / SELV / Independent
- Input Voltage 220-240 VAC
- Protection: SCP/ OLP/ OVP/ OTP
- Low power factor and flicker-free
- Compliant with ErP 2.0
- Fits for a 25mm aperture
- Power Factor: 0.5
- 5 years warranty
- Ta, Tc: 45°C/ 65°C

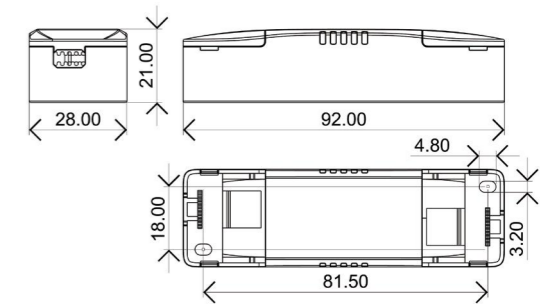


Model	Power	Input Voltage	Output Current	Output Voltage	Efficiency	Power Factor	Size (L*W*H)
LS-3-150...500 SI E	3W	220-240VAC	150/200/300/350/500mA	5-12V	68%	0.45	84*20.5*16.5mm
LS-3-700 SI E	3W	220-240VAC	700mA	2.5-4.5V	71%	0.45	84*20.5*16.5mm
LS-6-120...180SI E	6W	220-240VAC	120/150/180mA	27-40V	76%	0.50	84*20.5*16.5mm
LS-6-200 SI E	6W	220-240VAC	200mA	27-40V	76%	0.50	84*20.5*16.5mm
LS-6-220 SI E	6W	220-240VAC	220mA	27-40V	76%	0.50	84*20.5*16.5mm
LS-6-250 SI E	6W	220-240VAC	250mA	10-24V	76%	0.50	84*20.5*16.5mm
LS-6-300...700 SI E	6W	220-240VAC	300/350/500/550/700mA	8-20V	76%	0.50	84*20.5*16.5mm
LS-8-180 SI E1	8W	220-240VAC	180mA	30-42V	73%	0.50	84*20.5*16.5mm
LS-8-200 SI E1	8W	220-240VAC	200mA	30-42V	73%	0.50	84*20.5*16.5mm
LS-8-220 SI E1	8W	220-240VAC	220mA	30-42V	73%	0.50	84*20.5*16.5mm
LS-8-500 SI E1	8W	220-240VAC	500mA	13-18V	73%	0.50	84*20.5*16.5mm
LS-8-700 SI E1	8W	220-240VAC	700mA	8-13V	73%	0.50	84*20.5*16.5mm

Compact Series

Hot sale

- For luminaire of protection class II
- Isolated / SELV / Independent
- Input Voltage 220-240 VAC
- Protection: SCP/ OLP/ OVP/ OTP
- Low power factor and flicker-free
- Compliant with ErP 2.0
- Fits for a 35mm aperture
- Power Factor: 0.6
- 5 years warranty
- Ta, Tc: 45°C/ 75°C



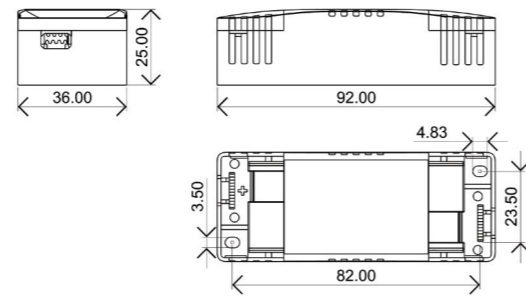
Model	Power	Input Voltage	Output Current	Output Voltage	Efficiency	Power Factor	Size (L*W*H)
LS-8-70 SI2 E	8W	220-240VAC	70mA	30-40V	78%	0.60	92*28*21mm
LS-8-80...120 SI2 E	8W	220-240VAC	80/100/120mA	30-40V	78%	0.60	92*28*21mm
LS-8-150 SI2 E	8W	220-240VAC	150mA	30-40V	80%	0.60	92*28*21mm
LS-8-160...220 SI2 E	8W	220-240VAC	160/180/200/220mA	30-40V	80%	0.60	92*28*21mm
LS-8-300 SI2 E	8W	220-240VAC	300mA	18-24V	80%	0.60	92*28*21mm
LS-8-350 SI2 E	8W	220-240VAC	350mA	18-24V	80%	0.60	92*28*21mm
LS-8-500 SI2 E	8W	220-240VAC	500mA	10-16V	80%	0.60	92*28*21mm
LS-8-700 SI2 E	8W	220-240VAC	700mA	8-11.4V	80%	0.60	92*28*21mm
LS-12-250 SI2 E	12W	220-240VAC	250mA	30-40V	82%	0.60	92*28*21mm
LS-12-280 SI2 E	12W	220-240VAC	280mA	30-40V	82%	0.60	92*28*21mm
LS-12-300 SI2 E	12W	220-240VAC	300mA	30-40V	82%	0.60	92*28*21mm
LS-12-350 SI2 E	12W	220-240VAC	350mA	30-40V	82%	0.60	92*28*21mm
LS-12-500...700 SI2 E	12W	220-240VAC	500/600/700mA	18-24V	82%	0.60	92*28*21mm

Compact Series

Hot sale

- For luminaire of protection class II
- Isolated / SELV / Independent
- Input Voltage 220-240 VAC
- Protection: SCP/ OLP/ OVP/ OTP
- Passes through 45mm holes
- Efficiency>85%
- Power Factor: 0.6
- 5 years warranty
- Ta, Tc: 45°C/ 75°C

CE CB CCC SELV



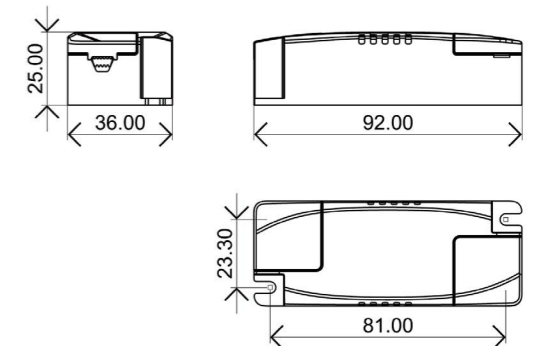
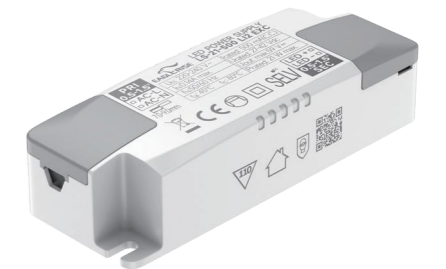
Model	Power	Input Voltage	Output Current	Output Voltage	Efficiency	Power Factor	Size (L*W*H)
LS-21-300 SII E	21W	220-240VAC	300mA	40-70V	85%	0.60	92*36*25mm
LS-21-350 SII E	21W	220-240VAC	350mA	42-60V	85%	0.60	92*36*25mm
LS-21-400 SII E	21W	220-240VAC	400mA	30-42V	85%	0.60	92*36*25mm
LS-21-450 SII E	21W	220-240VAC	450mA	30-42V	85%	0.60	92*36*25mm
LS-21-500 SII E	21W	220-240VAC	500mA	30-42V	85%	0.60	92*36*25mm
LS-21-550 SII E	21W	220-240VAC	550mA	30-40V	85%	0.60	92*36*25mm
LS-21-600 SII E	21W	220-240VAC	600mA	27-39V	85%	0.60	92*36*25mm
LS-21-650 SII E	21W	220-240VAC	650mA	20-32V	85%	0.60	92*36*25mm
LS-21-700 SII E	21W	220-240VAC	700mA	18-30V	85%	0.60	92*36*25mm

Compact Series

High PF

- For luminaires of protection Class II
- Isolated / SELV / Independent
- Input Voltage 220-240VAC
- Protections: SCP/OLP/OVP/OTP
- Power Factor :0.95
- Efficiency: 86%
- 5 years warranty
- Ta, Tc: 45°C / 75°C

CE CB CCC SELV



Model	Power	Input Voltage	Output Current	Output Voltage	Efficiency	Power Factor	Size (L*W*H)
LS-8-70 LI2 EXC	8W	220-240VAC	70mA	27-42V	68%	0.9	92*36*25mm
LS-8-120 LI2 EXC	8W	220-240VAC	120mA	27-42V	75%	0.92	92*36*25mm
LS-8-150 LI2 EXC	8W	220-240VAC	150mA	27-42V	75%	0.95	92*36*25mm
LS-8-160 LI2 EXC	8W	220-240VAC	160mA	27-42V	75%	0.95	92*36*25mm
LS-8-180 LI2 EXC	8W	220-240VAC	180mA	27-42V	78%	0.95	92*36*25mm
LS-8-200 LI2 EXC	8W	220-240VAC	200mA	27-42V	78%	0.95	92*36*25mm
LS-8-220 LI2 EXC	8W	220-240VAC	220mA	27-42V	79%	0.95	92*36*25mm
LS-12-250 LI2 EXC	12W	220-240VAC	250mA	27-42V	82%	0.95	92*36*25mm
LS-12-280 LI2 EXC	12W	220-240VAC	280mA	27-42V	82%	0.95	92*36*25mm
LS-12-300 LI2 EXC	12W	220-240VAC	300mA	27-40V	81%	0.95	92*36*25mm
LS-15-350 LI2 EXC	15W	220-240VAC	350mA	27-42V	82%	0.95	92*36*25mm
LS-21-400 LI2 EXC	21W	220-240VAC	400mA	27-42V	85%	0.95	102*38.2*25mm
LS-21-450 LI2 EXC	21W	220-240VAC	450mA	27-42V	85%	0.95	102*38.2*25mm
LS-21-500 LI2 EXC	21W	220-240VAC	500mA	27-42V	86%	0.95	102*38.2*25mm

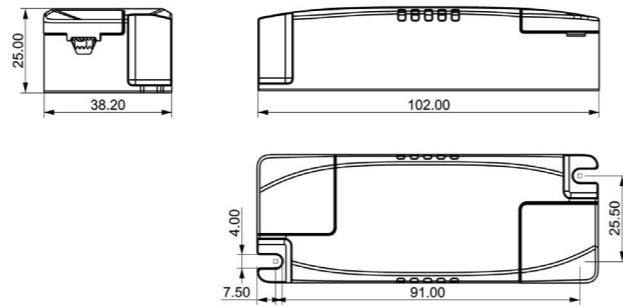
Compact Series

High PF

COMPACT

- For luminaire of protection class II
- Isolated / SELV / Independent
- Input Voltage 220-240 VAC
- Protection: SCP/ OLP/ OVP
- Efficiency>90%
- Power Factor > 0.95
- IP20
- 5 years warranty
- Ta, Tc: 45°C / 85°C (15W-21W) ; 45°C / 88°C (40W)

CE CB CCC SELV



Model	Power	Input Voltage	Output Current	Output Voltage	Efficiency	Power Factor	Size (L*W*H)
LS-15-350 LI1 EXC	15W	220-240VAC	350mA	27-42V	84%	0.95	102*38.2*25mm
LS-21-400 LI1 EXC	21W	220-240VAC	400mA	27-42V	85%	0.95	102*38.2*25mm
LS-21-450 LI1 EXC	21W	220-240VAC	450mA	27-42V	85%	0.95	102*38.2*25mm
LS-21-500 LI1 EXC	21W	220-240VAC	500mA	27-42V	86%	0.95	102*38.2*25mm
LS-21-550 LI1 EXC	21W	220-240VAC	550mA	27-38.5V	86%	0.95	102*38.2*25mm
LS-40-600 LI1 EXC S	40W	220-240VAC	600mA	24-42V	89%	0.95	102*38.2*25mm
LS-40-650 LI1 EXC S	40W	220-240VAC	650mA	24-42V	89%	0.95	102*38.2*25mm
LS-40-700 LI1 EXC S	40W	220-240VAC	700mA	24-42V	89%	0.95	102*38.2*25mm
LS-40-750 LI1 EXC S	40W	220-240VAC	750mA	24-42V	89%	0.95	102*38.2*25mm
LS-40-800 LI1 EXC S	40W	220-240VAC	800mA	24-42V	89%	0.95	102*38.2*25mm
LS-40-850 LI1 EXC S	40W	220-240VAC	850mA	24-42V	89%	0.95	102*38.2*25mm
LS-40-900 LI1 EXC S	40W	220-240VAC	900mA	24-42V	90%	0.95	102*38.2*25mm
LS-40-950 LI1 EXC S	40W	220-240VAC	950mA	24-42V	90%	0.95	102*38.2*25mm
LS-40-1000 LI1 EXC S	40W	220-240VAC	1000mA	24-40V	90%	0.95	102*38.2*25mm
LS-40-1050 LI1 EXC S	40W	220-240VAC	1050mA	24-38.5V	90%	0.95	102*38.2*25mm

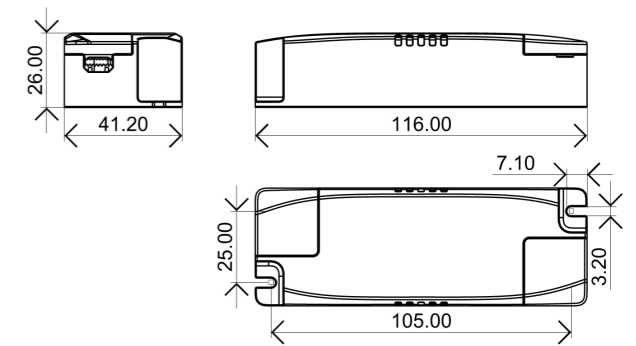
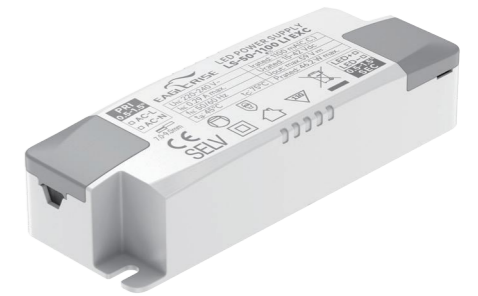
Compact Series

High PF

COMPACT

- For luminaire of protection class II
- Isolated / SELV / Independent
- Input Voltage 220-240 VAC
- Protection: SCP/ OLP/ OVP
- Efficiency>91%
- Power Factor > 0.95
- 5 years warranty
- Ta, Tc: 45°C / 80°C

CE CB CCC SAA SELV



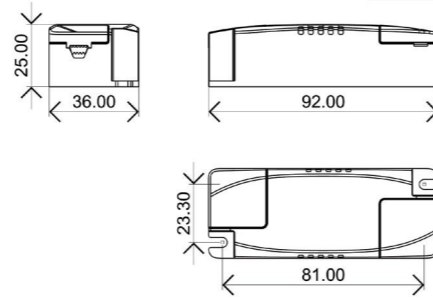
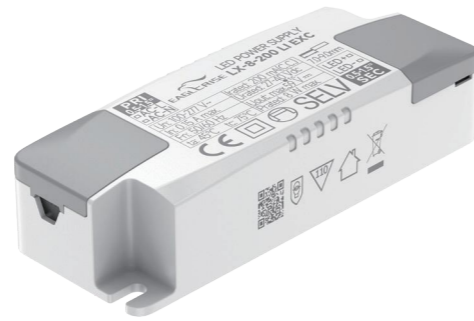
Model	Power	Input Voltage	Output Current	Output Voltage	Efficiency	Power Factor	Size (L*W*H)
LS-50-500 LI EXC	50W	220-240VAC	500mA	30-84V	91%	0.95	116*41.2*26mm
LS-50-600 LI EXC	50W	220-240VAC	600mA	30-84V	91%	0.95	116*41.2*26mm
LS-50-1100 LI EXC	50W	220-240VAC	1100mA	15-42V	91%	0.95	116*41.2*26mm
LS-50-1150 LI EXC	50W	220-240VAC	1150mA	15-42V	91%	0.95	116*41.2*26mm
LS-50-1200 LI EXC	50W	220-240VAC	1200mA	15-42V	91%	0.95	116*41.2*26mm
LS-50-1250 LI EXC	50W	220-240VAC	1250mA	15-40V	91%	0.95	116*41.2*26mm
LS-60-1050 LI EXC	60W	220-240VAC	1050mA	15-42V	90%	0.95	135*41.2*25mm
LS-60-1300 LI EXC	60W	220-240VAC	1300mA	15-42V	90%	0.95	135*41.2*25mm
LS-60-1350 LI EXC	60W	220-240VAC	1350mA	15-42V	90%	0.95	135*41.2*25mm
LS-60-1400 LI EXC	60W	220-240VAC	1400mA	15-42V	90%	0.95	135*41.2*25mm
LS-60-1450 LI EXC	60W	220-240VAC	1450mA	15-40V	90%	0.95	135*41.2*25mm
LS-60-1500 LI EXC	60W	220-240VAC	1500mA	15-40V	90%	0.95	135*41.2*25mm

Compact Series

Wide voltage

- For luminaire of protection class II
- Isolated / SELV / Independent
- Input Voltage 100-277 VAC
- Protection: SCP/ OLP/ OVP/ OTP
- Efficiency > 78%
- Power Factor > 0.95
- 5 years warranty
- Ta, Tc: 45°C/ 75°C

CE CB SELV



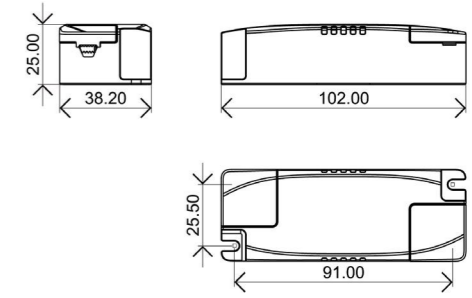
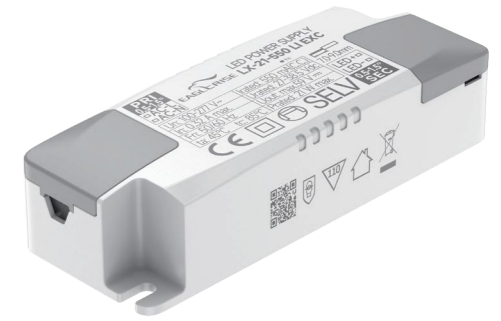
Model	Power	Input Voltage	Output Current	Output Voltage	Efficiency	Power Factor	Size (L*W*H)
LX-8-70 LI EXC	8W	100-277VAC	70mA	27-42V	59%	0.9	92*36*25mm
LX-8-100 LI EXC	8W	100-277VAC	100mA	27-42V	66%	0.9	92*36*25mm
LX-8-120 LI EXC	8W	100-277VAC	120mA	27-42V	71%	0.92	92*36*25mm
LX-8-150 LI EXC	8W	100-277VAC	150mA	27-42V	71%	0.95	92*36*25mm
LX-8-160 LI EXC	8W	100-277VAC	160mA	27-42V	71%	0.95	92*36*25mm
LX-8-180 LI EXC	8W	100-277VAC	180mA	27-42V	76%	0.95	92*36*25mm
LX-8-200 LI EXC	8W	100-277VAC	200mA	27-40V	76%	0.95	92*36*25mm
LX-8-220 LI EXC	8W	100-277VAC	220mA	27-40V	76%	0.95	92*36*25mm
LX-12-250 LI EXC	12W	100-277VAC	250mA	27-42V	78%	0.9	92*36*25mm
LX-12-280 LI EXC	12W	100-277VAC	280mA	27-42V	78%	0.9	92*36*25mm
LX-12-300 LI EXC	12W	100-277VAC	300mA	27-40V	78%	0.9	92*36*25mm

Compact Series

Wide voltage

- For luminaire of protection class II
- Isolated / SELV / Independent
- Input Voltage 100-277 VAC
- Protection: SCP/ OLP/ OVP/ OTP
- Efficiency > 85%
- Power Factor > 0.95
- 5 years warranty
- Ta, Tc: 45°C/ 75°C

CE CB SELV



Model	Power	Input Voltage	Output Current	Output Voltage	Efficiency	Power Factor	Size (L*W*H)
LX-21-350 LI EXC	21W	100-277VAC	350mA	27-44V	85%	0.95	102*38.2*25mm
LX-21-400 LI EXC	21W	100-277VAC	400mA	27-44V	85%	0.95	102*38.2*25mm
LX-21-450 LI EXC	21W	100-277VAC	450mA	27-44V	85%	0.95	102*38.2*25mm
LX-21-500 LI EXC	21W	100-277VAC	500mA	27-44V	85%	0.95	102*38.2*25mm
LX-21-550 LI EXC	21W	100-277VAC	550mA	27-38.5V	85%	0.95	102*38.2*25mm
LX-40-600 LI EXC	40W	100-277VAC	600mA	24-42V	84%	0.9	135*41.2*25mm
LX-40-650 LI EXC	40W	100-277VAC	650mA	24-42V	84%	0.9	135*41.2*25mm
LX-40-700 LI EXC	40W	100-277VAC	700mA	24-42V	84%	0.9	135*41.2*25mm
LX-40-750 LI EXC	40W	100-277VAC	750mA	24-42V	84%	0.9	135*41.2*25mm
LX-40-800 LI EXC	40W	100-277VAC	500mA	24-42V	84%	0.9	135*41.2*25mm
LX-40-850 LI EXC	40W	100-277VAC	550mA	24-42V	84%	0.9	135*41.2*25mm
LX-40-900 LI EXC	40W	100-277VAC	600mA	24-42V	84%	0.9	135*41.2*25mm
LX-40-950 LI EXC	40W	100-277VAC	450mA	24-42V	84%	0.9	135*41.2*25mm
LX-40-1000 LI EXC	40W	100-277VAC	500mA	24-40V	84%	0.9	135*41.2*25mm
LX-40-1050 LI EXC	40W	100-277VAC	550mA	24-38.5V	84%	0.9	135*41.2*25mm

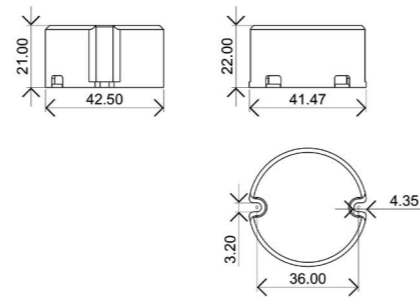
Compact Series

Round

COMPACT

- For luminaire of protection class II
- Isolated / SELV / Built-in
- Input Voltage 220-240 VAC
- Protection: SCP/ OLP/ OVP/ OTP
- Efficiency>82%
- Power Factor > 0.6
- 5 years warranty
- Ta, Tc: 70°C/ 100°C

CE CB SELV



Model	Power	Input Voltage	Output Current	Output Voltage	Efficiency	Power Factor	Size (L*W*H)
CS-8-100 SB	8W	220-240VAC	100mA	30-40V	80%	0.5	Φ42.5*21mm
CS-8-120 SB	8W	220-240VAC	120mA	30-40V	80%	0.5	Φ42.5*21mm
CS-8-150 SB	8W	220-240VAC	150mA	30-40V	80%	0.5	Φ42.5*21mm
CS-8-180 SB	8W	220-240VAC	180mA	30-40V	80%	0.6	Φ42.5*21mm
CS-8-200 SB	8W	220-240VAC	200mA	30-40V	80%	0.6	Φ42.5*21mm
CS-8-220 SB	8W	220-240VAC	220mA	30-40V	80%	0.6	Φ42.5*21mm
CS-15-250 SB	15W	220-240VAC	250mA	27-42V	82%	0.6	Φ42.5*21mm
CS-15-280 SB	15W	220-240VAC	280mA	27-42V	82%	0.6	Φ42.5*21mm
CS-15-300 SB	15W	220-240VAC	300mA	27-42V	82%	0.6	Φ42.5*21mm
CS-15-350 SB	15W	220-240VAC	350mA	27-42V	82%	0.6	Φ42.5*21mm
CS-15-400 SB	15W	220-240VAC	400mA	27-42V	82%	0.6	Φ42.5*21mm

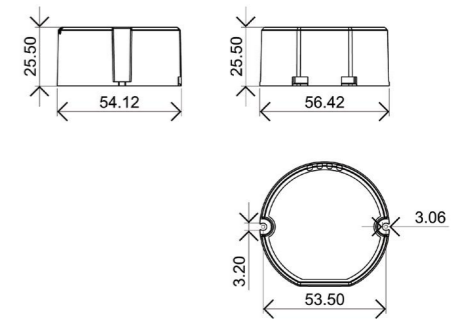
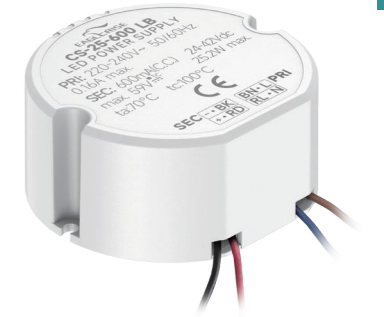
Compact Series

Round

COMPACT

- For luminaire of protection class II
- Isolated / SELV / Built-in
- Input Voltage 220-240 VAC
- Protection: SCP/ OLP/ OVP/ OTP
- Efficiency>89%
- Power Factor > 0.95
- 5 years warranty
- Ta, Tc: 70°C/ 100°C

CE CB SELV



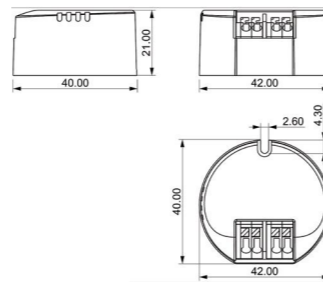
Model	Power	Input Voltage	Output Current	Output Voltage	Efficiency	Power Factor	Size (L*W*H)
CS-25-450 LB	25W	220-240VAC	450mA	24-42V	87%	0.95	Φ56*25.5mm
CS-25-500 LB	25W	220-240VAC	500mA	24-42V	87%	0.95	Φ56*25.5mm
CS-25-550 LB	25W	220-240VAC	550mA	24-42V	88%	0.95	Φ56*25.5mm
CS-25-600 LB	25W	220-240VAC	600mA	24-42V	88%	0.95	Φ56*25.5mm
CS-32-650 LB	32W	220-240VAC	650mA	24-42V	89%	0.95	Φ65*25mm
CS-32-700 LB	32W	220-240VAC	700mA	24-42V	89%	0.95	Φ65*25mm
CS-32-750 LB	32W	220-240VAC	750mA	24-42V	89%	0.95	Φ65*25mm
CS-32-800 LB	32W	220-240VAC	800mA	24-42V	89%	0.95	Φ65*25mm

Compact Series

Round

- For luminaire of protection class II
- Isolated / SELV / Built-in
- Input Voltage 220-240 VAC
- Protection: SCP/ OLP/ OVP/ OTP
- Efficiency>85%
- Power Factor > 0.5
- 5 years warranty
- Ta, Tc: 70°C/ 100°C

CE CB CCC SELV



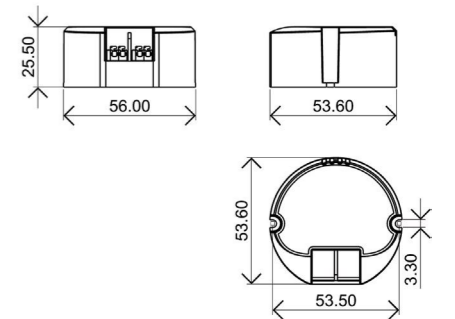
Model	Power	Input Voltage	Output Current	Output Voltage	Efficiency	Power Factor	Size (L*W*H)
CS-8-120 SI	8W	220-240VAC	120mA	30-40V	80%	0.50	Φ42*21mm
CS-8-150 SI	8W	220-240VAC	150mA	30-40V	80%	0.50	Φ42*21mm
CS-8-180 SI	8W	220-240VAC	180mA	30-40V	80%	0.50	Φ42*21mm
CS-8-200 SI	8W	220-240VAC	200mA	30-40V	80%	0.50	Φ42*21mm
CS-15-250 SI	15W	220-240VAC	250mA	27-42V	82%	0.50	Φ42*21mm
CS-15-300 SI	15W	220-240VAC	300mA	27-42V	82%	0.50	Φ42*21mm
CS-15-350 SI	15W	220-240VAC	350mA	27-42V	82%	0.50	Φ42*21mm
CS-22-350 SI	22W	220-240VAC	350mA	27-42V	85%	0.50	Φ50*22mm
CS-22-400 SI	22W	220-240VAC	400mA	27-42V	85%	0.50	Φ50*22mm
CS-22-450 SI	22W	220-240VAC	450mA	27-42V	85%	0.50	Φ50*22mm
CS-22-500 SI	22W	220-240VAC	500mA	27-42V	85%	0.50	Φ50*22mm
CS-22-550 SI	22W	220-240VAC	550mA	27-40V	85%	0.50	Φ50*22mm

Compact Series

Round

- For luminaire of protection class II
- Isolated / SELV / Built-in
- Input Voltage 220-240 VAC
- Protection: SCP/ OLP/ OVP/ OTP
- Efficiency>90%
- Power Factor > 0.95
- 5 years warranty
- Ta, Tc: 70°C/ 100°C

CE CB CCC SELV



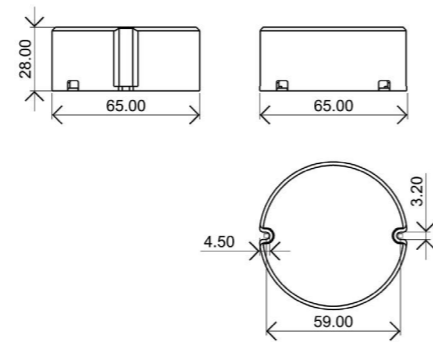
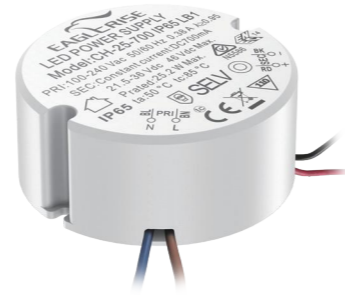
Model	Power	Input Voltage	Output Current	Output Voltage	Efficiency	Power Factor	Size (L*W*H)
CS-24-450 LI1	24W	220-240VAC	450mA	24-42V	87%	0.95	Φ56*25.5mm
CS-24-500 LI1	24W	220-240VAC	500mA	24-42V	87%	0.95	Φ56*25.5mm
CS-24-550 LI1	24W	220-240VAC	550mA	24-42V	88%	0.95	Φ56*25.5mm
CS-24-600 LI1	24W	220-240VAC	600mA	24-40V	88%	0.95	Φ56*25.5mm
CS-30-600 LI1	30W	220-240VAC	600mA	20-42V	89%	0.95	Φ65*25mm
CS-30-650 LI1	30W	220-240VAC	650mA	20-42V	89%	0.95	Φ65*25mm
CS-30-700 LI1	30W	220-240VAC	700mA	20-42V	89%	0.95	Φ65*25mm
CS-30-750 LI1	30W	220-240VAC	750mA	24-40V	89%	0.95	Φ65*25mm
CS-42-800 LI1	42W	220-240VAC	800mA	24-42V	90%	0.95	Φ65*25mm
CS-42-850 LI1	42W	220-240VAC	850mA	24-42V	90%	0.95	Φ65*25mm
CS-42-900 LI1	42W	220-240VAC	900mA	24-42V	90%	0.95	Φ65*25mm
CS-42-950 LI1	42W	220-240VAC	950mA	24-42V	90%	0.95	Φ65*25mm
CS-42-1000 LI1	42W	220-240VAC	1000mA	24-42V	90%	0.95	Φ65*25mm
CS-42-1050 LI1	42W	220-240VAC	1050mA	24-40V	90%	0.95	Φ65*25mm

Compact Series

Lead wire

- For luminaire of protection class II
- Isolated / SELV / Built-in
- Input Voltage 100-240 VAC
- Protection: SCP/ OLP/ OVP/ OTP
- IP65
- Efficiency > 86%
- Power Factor: 0.95
- 5 years warranty
- Ta, Tc: 45°C / 75°C

CE CB SELV



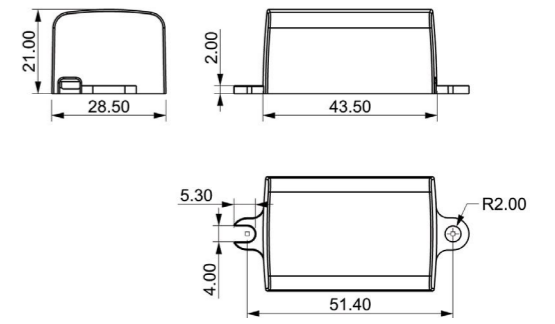
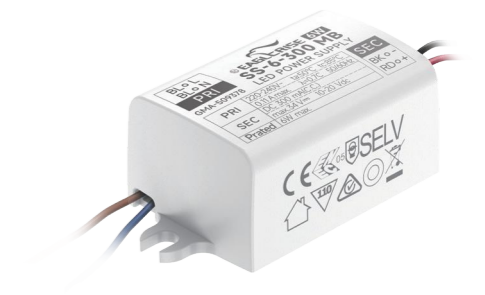
Model	Power	Input Voltage	Output Current	Output Voltage	Efficiency	Power Factor	Size (L*W*H)
CH-12-300 IP65 LB1	12W	100-240VAC	300mA	24-40VDC	≥81%	0.95	Φ55*26mm
CH-12-350 IP65 LB1	12W	100-240VAC	350mA	20-35VDC	≥81%	0.95	Φ55*26mm
CH-12-500 IP65 LB1	12W	100-240VAC	500mA	14-24VDC	≥81%	0.95	Φ55*26mm
CH-12-700 IP65 LB1	12W	100-240VAC	700mA	10.5-17.5VDC	≥81%	0.95	Φ55*26mm
CH-18-300 IP65 LB	18W	100-240VAC	300mA	36-60VDC	≥86%	0.95	Φ55*26mm
CH-18-350 IP65 LB	18W	100-240VAC	350mA	31-52VDC	≥86%	0.95	Φ55*26mm
CH-18-450 IP65 LB	18W	100-240VAC	450mA	24-40VDC	≥86%	0.95	Φ55*26mm
CH-18-700 IP65 LB	18W	100-240VAC	700mA	15.5-26VDC	≥87%	0.95	Φ55*26mm
CH-25-350 IP65 LB1	25W	100-240VAC	350mA	43-72VDC	≥86%	0.95	Φ65*28mm
CH-25-600 IP65 LB1	25W	100-240VAC	600mA	25-42VDC	≥86%	0.95	Φ65*28mm
CH-25-700 IP65 LB1	25W	100-240VAC	700mA	21.5-36VDC	≥86%	0.95	Φ65*28mm

Compact Series

Lead wire

- For luminaire of protection class I and class II
- Isolated / SELV / Built-in
- Input Voltage 220-240 VAC
- Protection: SCP/ OLP/ OVP
- Efficiency > 81%
- Power Factor > 0.8
- 5 years warranty
- Ta, Tc: 50°C / 75°C

CE CB SELV



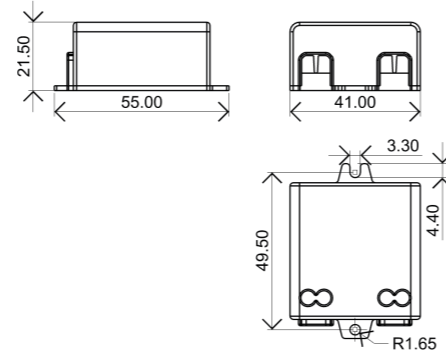
Model	Power	Input Voltage	Output Current	Output Voltage	Efficiency	Power Factor	Size (L*W*H)
SS-6-300 MB	6W	220-240VAC	300mA	10-20V	76%	0.70	58.1*28.5*21mm
SS-6-350 MB	6W	220-240VAC	350mA	8-20V	76%	0.70	58.1*28.5*21mm
SS-6-700 MB	6W	220-240VAC	700mA	2.8-9V	76%	0.70	58.1*28.5*21mm
SS-9-200 MB-G	9W	220-240VAC	200mA	27-45V	78%	0.80	60*34*23.5mm
SS-9-350 MB-G	9W	220-240VAC	350mA	15-26V	78%	0.80	60*34*23.5mm
SS-9-700 MB-G	9W	220-240VAC	700mA	7-13V	78%	0.80	60*34*23.5mm
SS-12-300 MB-G	12W	220-240VAC	300mA	24-40V	81%	0.80	60*34*23.5mm
SS-12-350 MB-G	12W	220-240VAC	350mA	20-34.5V	81%	0.80	60*34*23.5mm
SS-12-500 MB-G	12W	220-240VAC	500mA	14.5-24V	81%	0.80	60*34*23.5mm
SS-12-700 MB-G	12W	220-240VAC	700mA	10-18V	81%	0.80	60*34*23.5mm

Compact Series

Lead wire

- For luminaire of protection class I and class II
- Isolated / SELV / Built-in
- Input Voltage 220-240 VAC
- Protection: SCP/ OLP/ OVP
- Efficiency > 81%
- Power Factor > 0.7
- 5 years warranty
- Ta, Tc: 50°C / 75°C

CE CB SELV



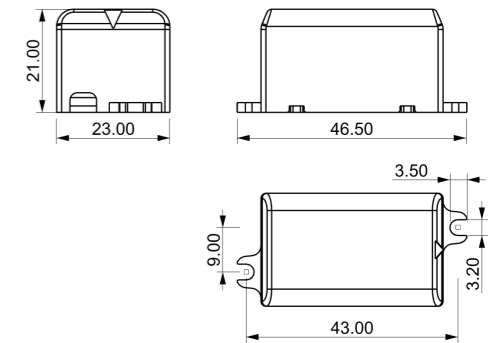
Model	Power	Input Voltage	Output Current	Output Voltage	Efficiency	Power Factor	Size (L*W*H)
SS-9-200 MX-G	9W	220-240VAC	200mA	27-45V	81%	0.70	55*41*21.5mm
SS-9-300 MX-G	9W	220-240VAC	300mA	18-30V	81%	0.70	55*41*21.5mm
SS-9-350 MX-G	9W	220-240VAC	350mA	15-26V	81%	0.70	55*41*21.5mm
SS-9-700 MX-G	9W	220-240VAC	700mA	7-13V	81%	0.70	55*41*21.5mm
SS-12-300 MX-G	12W	220-240VAC	300mA	24-40V	80%	0.70	55*41*21.5mm
SS-12-350 MX-G	12W	220-240VAC	350mA	20-34.5V	80%	0.70	55*41*21.5mm
SS-12-500 MX-G	12W	220-240VAC	500mA	14.5-24V	80%	0.70	55*41*21.5mm
SS-12-700 MX-G	12W	220-240VAC	700mA	10-18V	80%	0.70	55*41*21.5mm

Compact Series

Lead wire

- For luminaire of protection class II
- Isolated / SELV / Built-in
- Input Voltage 100-240 VAC
- Protection: SCP/ OLP/ OVP
- Efficiency > 68%
- Power Factor > 0.5
- 5 years warranty
- Ta, Tc: 50°C / 75°C

CB SELV



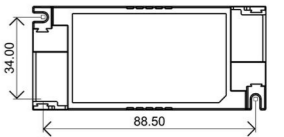
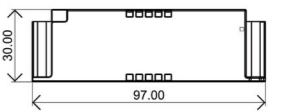
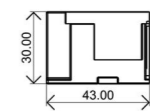
Model	Power	Input Voltage	Output Current	Output Voltage	Efficiency	Power Factor	Size (L*W*H)
SH-3-300 IP65 SB	3W	100-240VAC	300mA	2.5-12V	68%	0.50	47*23*21mm
SH-3-350 IP65 SB	3W	100-240VAC	350mA	2.5-10V	68%	0.50	47*23*21mm
SH-3-500 IP65 SB	3W	100-240VAC	500mA	2.5-7V	68%	0.50	47*23*21mm
SH-3-700 IP65 SB	3W	100-240VAC	700mA	2.5-4.5V	68%	0.50	47*23*21mm

LED DRIVER MINI SERIES

Application:
Ceiling light
Panel light
Downlight and spotlight

Mini - Intelligent Series DALI-2 (ALL IN ONE)

- For luminaire of protection class I and class II
- Isolated / SELV / Built in / Independent
(With side caps)
- Input Voltage 100-240 VAC
- Protection: SCP/ OLP/ OVP/ OTP
- Support DALI +0-10+PUSH+RX+PWM
- DALI-2 Parts 251, 252 and 253
- Dimming range 1% to 100%
- Output current adjusted via NFC
- Efficiency > 89% ; Power Factor > 0.95
- Suitable for emergency lighting acc.
to EN 50172
- 5 years warranty
- Ta, Tc: 45°C/ 85°C



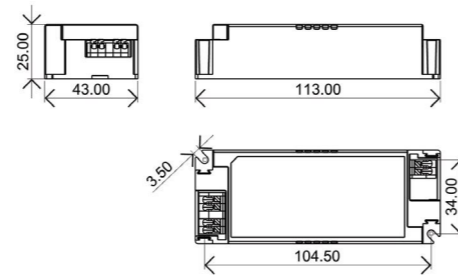
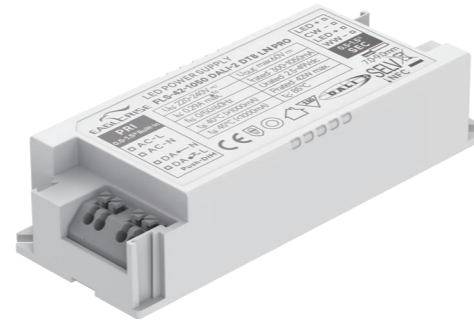
MINI

Model	Power	Input Voltage	Output Current	Output Voltage	Efficiency	Power Factor	Size (L*W*H)
FLX-42-1050 DALI-2 0-10 LN PRO	42W	100-240VAC	150-1050mA	2.5-49V	89%	0.95	97*43*30mm

Mini - Intelligent Series

DALI-2 DT8

- For luminaire of protection class I and class II
- Isolated / SELV / Built in / Independent (With side caps)
- Input Voltage 220-240 VAC
- Protection: SCP/ OLP/ OVP/ OTP
- DALI dimming, Push Dimming, Corridor mode
- Tunable white DT8
- ADV: can be used in both DT8 and DT6 mode
- PRO: can be used in DT8 mode
- DALI-2 Parts 209, 251, 252 and 253
- Dimming range 1% to 100%
- Output current adjusted via NFC
- Efficiency > 90% ; Power Factor > 0.95
- Suitable for emergency lighting acc. to EN 50172
- 5 years warranty
- Ta, Tc: 45°C/ 85°C

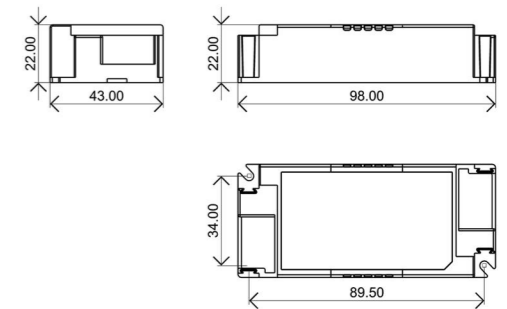


Model	Power	Input Voltage	Output Current	Output Voltage	Efficiency	Power Factor	Size (L*W*H)
FLS-20-500 DALI-2 DT8 LN ADV	20W	220-240VAC	150-500mA	2.5-49V	87%	0.95	98*43*22mm
FLS-42-1050 DALI-2 DT8 LN ADV	42W	220-240VAC	300-1050mA	2.5-49V	90%	0.95	113*43*25mm
FLS-20-500 DALI-2 DT8 LN PRO	20W	220-240VAC	80-500mA	2.5-49V	87%	0.95	98*43*22mm
FLS-42-1050 DALI-2 DT8 LN PRO	42W	220-240VAC	300-1050mA	2.5-49V	90%	0.95	113*43*25mm

Mini - Intelligent Series

DALI-2 High Eff.

- For luminaries of protection Class II, SELV,
- Built-in/Independent (With side caps)
- Input Voltage: 220-240VAC
- Protections: SCP/OLP/OVP/OTP
- Power Factor > 0.95
- Efficiency: 93%@Full Load, 230Vac
- Support DALI-2, Push Dimming
- Suitable for emergency lighting acc. to EN 50172
- EOfi=15%
- 22mm height
- DALI maintainace(Part 251,252,253)
- 5 years warranty

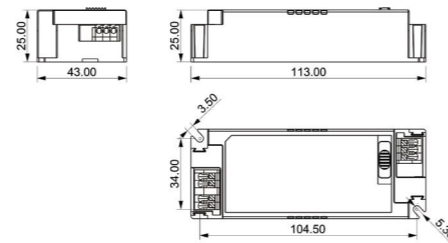


Model	Power	Input Voltage	Output Current	Output Voltage	Efficiency	Power Factor	Size (L*W*H)
FLS-12-300 DALI-2 LD1 ADV	12W	220-240VAC	150-300mA	24-42V	91%	0.95	98*43*22mm
FLS-30-700 DALI-2 LD1 ADV	30W	220-240VAC	350-700mA	24-42V	93%	0.95	98*43*22mm
FLS-42-1050 DALI-2 LD1 ADV	42W	220-240VAC	700-1050mA	24-42V	93%	0.95	98*43*22mm

Mini - Intelligent Series

DALI-2 CCT

- For luminaire of protection class I and class II
- Isolated / SELV / Built in / Independent
(With side caps)
- Input Voltage 220-240 VAC
- Protection: SCP/ OLP/ OVP/ OTP
- DALI dimming, Push Dimming, Corridor mode
- DALI-2 Parts 251, 252 and 253
- Dimming range 1% to 100%
- Output current and CCT adjusted via dip-switch
- Efficiency > 92% ; Power Factor > 0.95
- Suitable for emergency lighting acc. to EN 50172
- 5 years warranty
- Ta, Tc: 45°C/ 85°C

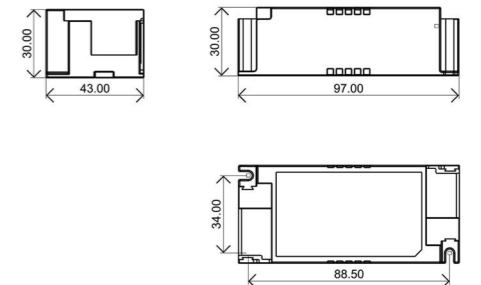
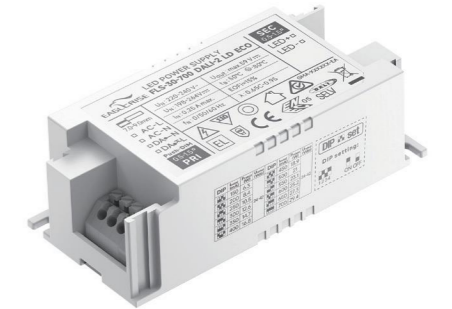


Model	Power	Input Voltage	Output Current	Output Voltage	Efficiency	Power Factor	Size (L*W*H)
FLS-36-850 DALI-2 CCT LD	36W	220-240VAC	550-850mA	24-42V	92%	0.95	113*43*25mm
FLS-42-1050 DALI-2 CCT LD	42W	220-240VAC	500-1050mA	24-42V	92%	0.95	113*43*25mm

Mini-Intelligent Series

DALI-2 ECO

- For luminaire of protection class I and class II
- Isolated / SELV / Built in / Independent
(With side caps)
- Input Voltage 220-240 VAC
- Protection: SCP/ OLP/ OVP/ OTP
- DALI dimming, Push Dimming, Corridor mode
- DALI-2 Parts 251, 252 and 253
- Dimming range 1% to 100%
- Output current adjusted via dip-switch; 16 current steps
- Efficiency > 89% ; Power Factor > 0.97
- Suitable for emergency lighting acc. to EN 50172
- 5 years warranty
- Ta, Tc: 45°C/ 85°C

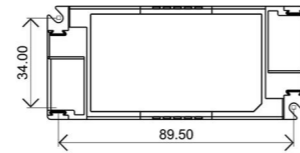
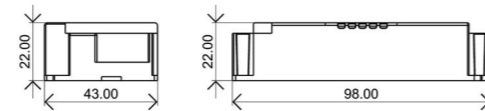


Model	Power	Input Voltage	Output Current	Output Voltage	Efficiency	Power Factor	Size (L*W*H)
FLS-30-700 DALI-2 LD ECO	30W	220-240VAC	150-700mA	24-42V	87%	0.97	97*43*30mm
FLS-44-1050 DALI-2 LD ECO	44W	220-240VAC	700-1050mA	24-42V	89%	0.97	97*43*30mm
FLS-42-1050 DALI-2 LD ADV	42W	220-240VAC	150-1050mA	2.5-52V	87%	0.95	97*43*30mm

Mini-Intelligent Series

DALI-2

- For luminaire of protection class I and class II (20W only for luminaire of protection class II)
- Isolated / SELV / Built in / Independent (With side caps)
- Input Voltage 220-240 VAC
- Protection: SCP/ OLP/ OVP/ OTP
- DALI dimming, Push Dimming, Corridor mode
- DALI-2 Parts 251, 252 and 253
- Dimming range 1% to 100%
- Output current adjusted via dip-switch
- Efficiency > 90% ; Power Factor > 0.95
- Suitable for emergency lighting acc. to EN 50172
- Height: 22mm
- 5 years warranty
- Ta, Tc: 45°C / 85°C

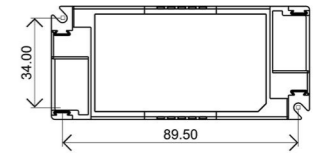
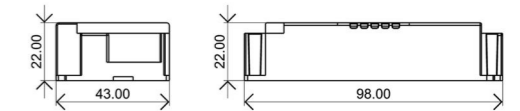
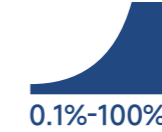


Model	Power	Input Voltage	Output Current	Output Voltage	Efficiency	Power Factor	Size (L*W*H)
FLS-20-500 DALI-2 LD PRO	20W	220-240VAC	80-500mA	2.5-49V	87%	0.95	88*40*22mm
FLS-30-700 DALI-2 LD PRO	30W	220-240VAC	150-700mA	2.5-49V	90%	0.95	98*43*22mm
FLS-42-1050 DALI-2 LD PRO	42W	220-240VAC	300-1050mA	2.5-49V	90%	0.95	98*43*22mm
FLS-42-1050 DALI-2 LD1 PRO	42W	220-240VAC	150-1050mA	2.5-49V	90%	0.95	98*43*22mm
FLS-60-1500 DALI-2 LD PRO	60W	220-240VAC	900-1500mA	9-49V	90%	0.95	113*43*25mm

Mini-Intelligent Series

DALI-2 0.1% dimming depth

- For luminaire of protection class I and class II
- Isolated / SELV / Built in / Independent (With side caps)
- Input Voltage 220-240 VAC
- Protection: SCP/ OLP/ OVP/ OTP
- DALI dimming, Push Dimming, Corridor mode
- DALI-2 Parts 251, 252 and 253
- Dimming range 0.1% to 100%
- Output current adjusted via dip-switch
- Efficiency > 90% ; Power Factor > 0.95
- Suitable for emergency lighting acc. to EN 50172
- Height: 22mm
- 5 years warranty
- Ta, Tc: 45°C / 85°C

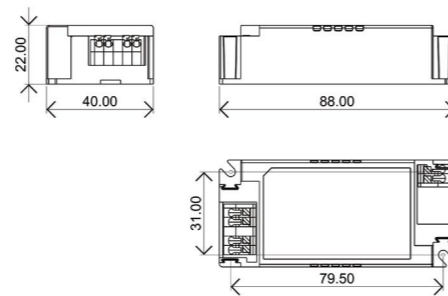


Model	Power	Input Voltage	Output Current	Output Voltage	Efficiency	Power Factor	Size (L*W*H)
FLS-42-1050 DALI-2 LD2 PRO	42W	220-240VAC	300-1050mA	2.5-49V	90%	0.95	98*43*22mm

Mini-Intelligent Series

DALI-2+NFC

- For luminaire of protection class I and class II
- Isolated / SELV / Built in / Independent
(With side caps)
- Input Voltage 220-240 VAC
- Protection: SCP/ OLP/ OVP/ OTP
- DALI dimming, Push Dimming, Corridor mode
- DALI-2 Parts 251, 252 and 253
- Dimming range 1% to 100%
- Output current adjusted via NFC
- Efficiency > 89% ; Power Factor > 0.95
- Suitable for emergency lighting acc. to EN 50172
- Height: 22mm
- 5 years warranty
- Ta, Tc: 45°C/ 85°C

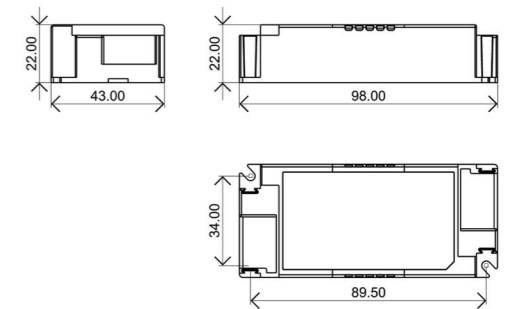


Model	Power	Input Voltage	Output Current	Output Voltage	Efficiency	Power Factor	Size (L*W*H)
FLS-20-500 DALI-2 LN PRO	20W	220-240VAC	80-500mA	2.5-49V	87%	0.95	88*40*22mm
FLS-30-700 DALI-2 LN PRO	30W	220-240VAC	150-700mA	2.5-49V	89%	0.95	98*43*22mm

Mini-Intelligent Series

0-10V

- For luminaire of protection class I and class II
- Isolated / SELV / Built in / Independent
(With side caps)
- Input Voltage 220-240 VAC
- Protection: SCP/ OLP/ OVP/ OTP
- Dimmable via 0-10V
- Dimming range 1% to 100%
- Output current adjusted via dip-switch
- Efficiency > 88% ; Power Factor > 0.95
- 5 years warranty
- Ta, Tc: 45°C/ 85°C



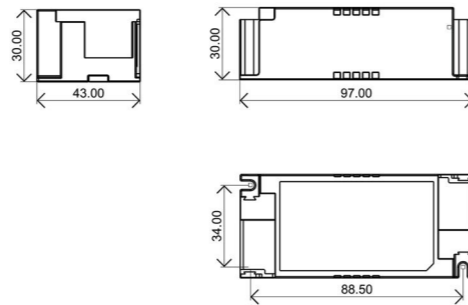
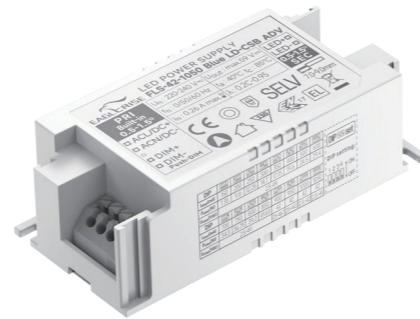
Model	Power	Input Voltage	Output Current	Output Voltage	Efficiency	Power Factor	Size (L*W*H)
FLS-20-500 0-10 LD ADV	20W	220-240VAC	350-500mA	24-42V	86%	0.95	98*43*22mm
FLS-30-700 0-10 LD ADV	30W	220-240VAC	550-700mA	24-42V	87%	0.95	113*43*25mm
FLS-42-1050 0-10 LD ADV	42W	220-240VAC	700-1050mA	24-42V	88%	0.95	113*43*25mm
FLS-60-1500 0-10 LD ADV	60W	220-240VAC	1150-1500mA	24-42V	89%	0.95	123*43*25mm

Mini - Intelligent Series

Wireless

- For luminaire of protection class I and class II
- Isolated / SELV / Built in / Independent
(With side caps)
- Input Voltage 220-240 VAC
- Protection: SCP/ OLP/ OVP/ OTP
- Dimmable via CASAMBI
- Dimming range 1% to 100%
- Output current adjusted via dip-switch;
16 current steps
- Suitable for emergency lighting acc.
to EN 50172
- Efficiency > 89% ; Power Factor > 0.95
- 5 years warranty
- Ta, Tc: 45°C/ 85°C

CASAMBI
CE CB EL SELV



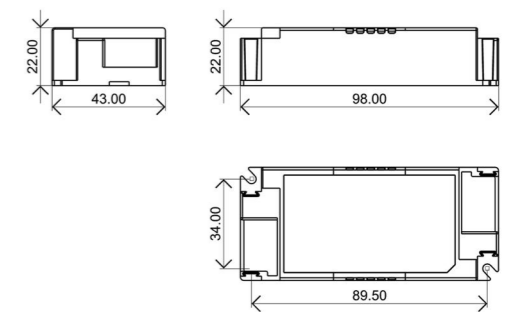
Model	Power	Input Voltage	Output Current	Output Voltage	Efficiency	Power Factor	Size (L*W*H)
FLS-42-1050 Blue LD-CSB ADV	42W	220-240VAC	150-1050mA	2.5-49V	89%	0.95	97*43*30mm

Mini Series

High eff.

- For luminaire of protection class I and class II
- Isolated / SELV / Built in / Independent
(With side caps)
- Input Voltage 220-240 VAC
- Protection: SCP/ OLP/ OVP/ OTP
- Output current adjusted via dip-switch
- Efficiency > 94% ; Power Factor > 0.95
- Suitable for emergency lighting acc.
to EN 50172
- Height: 22mm
- 5 years warranty
- Ta, Tc: 45°C/ 85°C

CE CB EL SELV



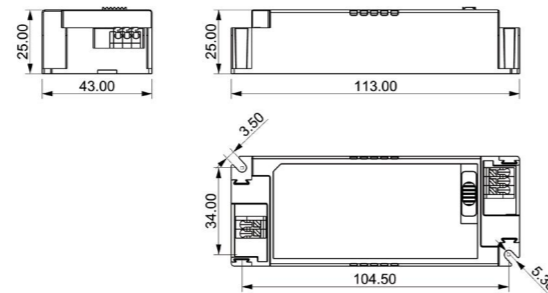
Model	Power	Input Voltage	Output Current	Output Voltage	Efficiency	Power Factor	Size (L*W*H)
FLS-20-500 LD1 PRO	20W	220-240VAC	350-500mA	27-40V	93%	0.95	98*43*22mm
FLS-30-700 LD1 PRO	30W	220-240VAC	550-700mA	27-40V	94%	0.95	98*43*22mm
FLS-38-900 LD1 PRO	38W	220-240VAC	750-900mA	27-40V	94%	0.95	98*43*22mm
FLS-42-1050 LD1 PRO	42W	220-240VAC	900-1050mA	27-40V	94%	0.95	98*43*22mm

Mini Series

CCT

- For luminaire of protection class I and class II
- Isolated / SELV / Built in / Independent
(With side caps)
- Input Voltage 220-240 VAC
- Protection: SCP/ OLP/ OVP/ OTP
- Output current and CCT adjusted via dip-switch
- Efficiency > 90% ; Power Factor > 0.95
- 5 years warranty
- Ta, Tc: 45°C/ 85°C

CE CB SELV



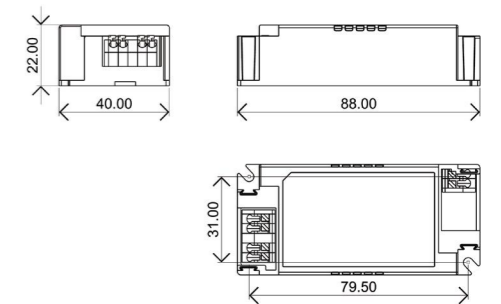
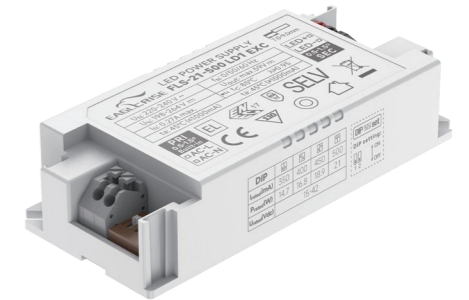
Model	Power	Input Voltage	Output Current	Output Voltage	Efficiency	Power Factor	Size (L*W*H)
FLS-36-850 CCT LD	36W	220-240VAC	550-850mA	30-40V	90%	0.95	113*43*25mm
FLS-42-1050 CCT LD	42W	220-240VAC	500-1050mA	30-42V	90%	0.95	113*43*25mm

Mini Series

Dip switch

- For luminaire of protection class I and class II
- Isolated / SELV / Built in / Independent
(With side caps)
- Input Voltage 220-240 VAC
- Protection: SCP/ OLP/ OVP/ OTP
- Output current adjusted via dip-switch;
4 current steps
- Efficiency > 90%
- Power Factor > 0.95
- Suitable for emergency lighting
acc. to EN 50172
- Height: 22mm
- 5 years warranty
- Ta, Tc: 45°C/ 90°C

CE CB CC EL SELV



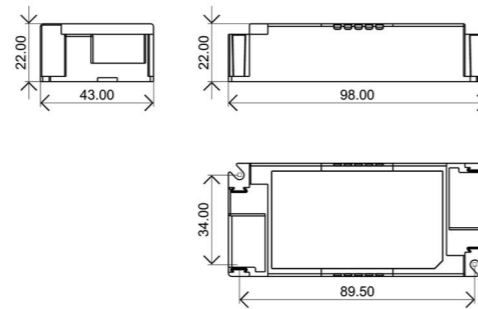
Model	Power	Input Voltage	Output Current	Output Voltage	Efficiency	Power Factor	Size (L*W*H)
FLS-21-500 LD1 EXC	21W	220-240VAC	350-500mA	27-42V	85%	0.95	88*40*22mm
FLS-30-700 LD1 EXC	30W	220-240VAC	550-700mA	9-42V	89%	0.95	88*40*22mm
FLS-38-900 LD1 EXC	38W	220-240VAC	750-900mA	9-42V	89%	0.95	88*40*22mm
FLS-40-1050 LD1 EXC	40W	220-240VAC	900-1050mA	9-42V	90%	0.95	88*40*22mm

Mini Series

Dip switch

- For luminaire of protection class I and class II
- Isolated / SELV / Built in / Independent
(With side caps)
- Input Voltage 220-240 VAC
- Protection: SCP/ OLP/ OVP/ OTP
- Output current adjusted via dip-switch
- Efficiency > 89%
- Power Factor > 0.95
- Height: 22mm
- Suitable for emergency lighting
acc. to EN 50172
- 5 years warranty
- Ta, Tc: 45°C/ 80°C





Model	Power	Input Voltage	Output Current	Output Voltage	Efficiency	Power Factor	Size (L*W*H)
FLS-42-1050 LD PRO	42W	220-240VAC	150-1050mA	2.5-42V	89%	0.95	98*43*22mm
FLS-42-1050 LD1 ADV	42W	220-240VAC	300-1050mA	9-40V	89%	0.95	98*43*22mm

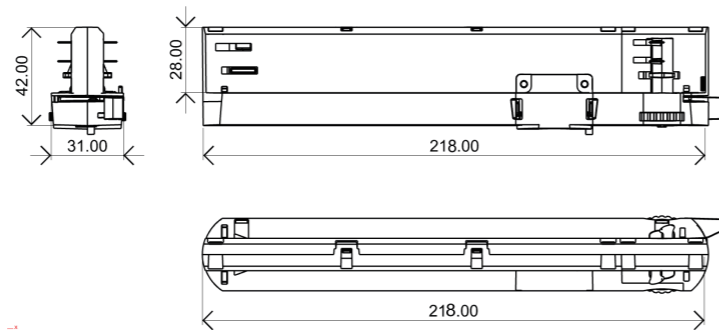
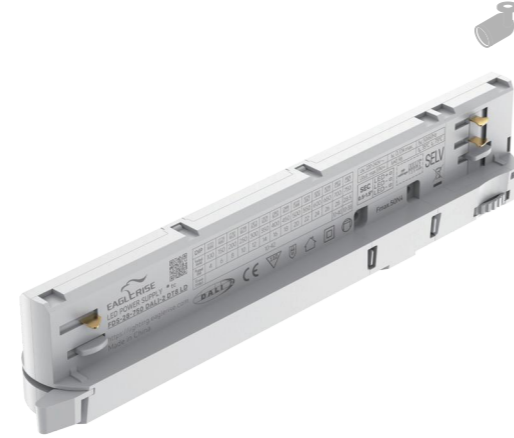
LED DRIVER TRACK SERIES

Application:
Track light

Track - Intelligent Series

DALI-2 DT8

- For luminaire of protection class II
- Isolated / SELV
- Input Voltage 220-240 VAC
- Protection: SCP/ OLP/ OVP/ OTP
- Tunable White DT8, Push Dimming, Corridor mode
- DALI-2 Parts 251, 252 and 253
- Dimming range 1% to 100%
- Output current adjusted via dip-switch; 14 current steps
- 6 Wires 3 Circuit DALI Track System
- Efficiency > 88% ; Power Factor > 0.95
- Adaptation to mainstream brands of tracks
- Available in black, white and grey
- 5 years warranty
- Ta, Tc: 35°C/ 85°C

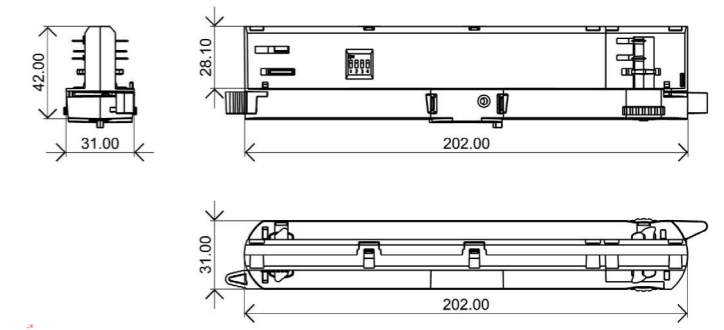
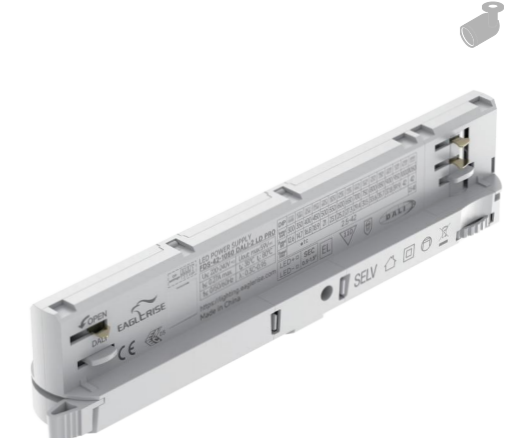


Model	Power	Input Voltage	Output Current	Output Voltage	Efficiency	Power Factor	Size (L*W*H)
FDS-28-750 DALI-2 DT8 LD	28W	220-240VAC	100-750mA	10-42V	88%	0.95	218*31*42mm

Track - Intelligent Series

DALI-2

- For luminaire of protection class II
- Isolated / SELV
- Input Voltage 220-240 VAC
- Protection: SCP/ OLP/ OVP/ OTP
- DALI Dimming, Push Dimming, Corridor mode
- DALI-2 Parts 251, 252 and 253
- Dimming range 1% to 100%
- Output current adjusted via dip-switch; 16 current steps
- 6 Wires 3 Circuit DALI Track System
- Efficiency > 89% ; Power Factor > 0.95
- Adaptation to mainstream brands of tracks
- Available in black, white and grey
- 5 years warranty
- Ta, Tc: 35°C/ 85°C

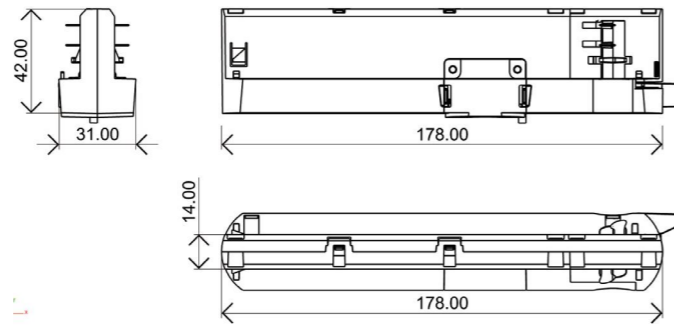
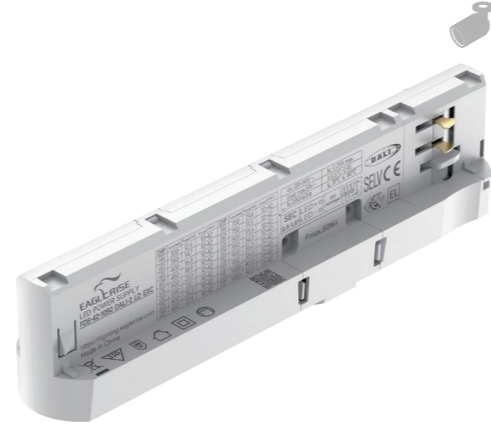


Model	Power	Input Voltage	Output Current	Output Voltage	Efficiency	Power Factor	Size (L*W*H)
FDS-42-1050 DALI-2 LD PRO	42W	220-240VAC	300-1050mA	2.5-42V	89%	0.95	202*31*42mm

Track - Intelligent Series

DALI-2

- For luminaire of protection class II
- Isolated / SELV
- Input Voltage 220-240 VAC
- Protection: SCP/ OLP/ OVP/ OTP
- DALI Dimming, Push Dimming, Corridor mode
- DALI-2 Parts 251, 252 and 253
- Dimming range 1% to 100%
- Output current adjusted via dip-switch; 16 current steps
- 4 Wires DALI Track System
- Efficiency > 88% ; Power Factor > 0.95
- Adaptation to mainstream brands of tracks
- Available in black, white and grey
- 5 years warranty
- Ta, Tc: 35°C/ 85°C

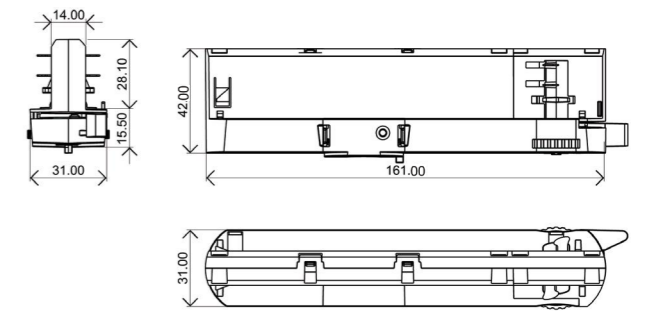


Model	Power	Input Voltage	Output Current	Output Voltage	Efficiency	Power Factor	Size (L*W*H)
FDS-42-1050 DALI-2 LD EXC	42W	220-240VAC	300-1050mA	10-42V	88%	0.95	178*31*42mm

Track - Intelligent Series

CASAMBI

- For luminaire of protection class II
- Isolated / SELV
- Input Voltage 220-240 VAC
- Protection: SCP/ OLP/ OVP/ OTP
- Dimming via CASAMBI
- Dimming range 1% to 100%
- Output current adjusted via NFC
- 4 Wires 3 Circuit Track System
- Efficiency > 89% ; Power Factor > 0.95
- Adaptation to mainstream brands of tracks
- Available in black, white and grey
- 5 years warranty
- Ta, Tc: 35°C/ 85°C

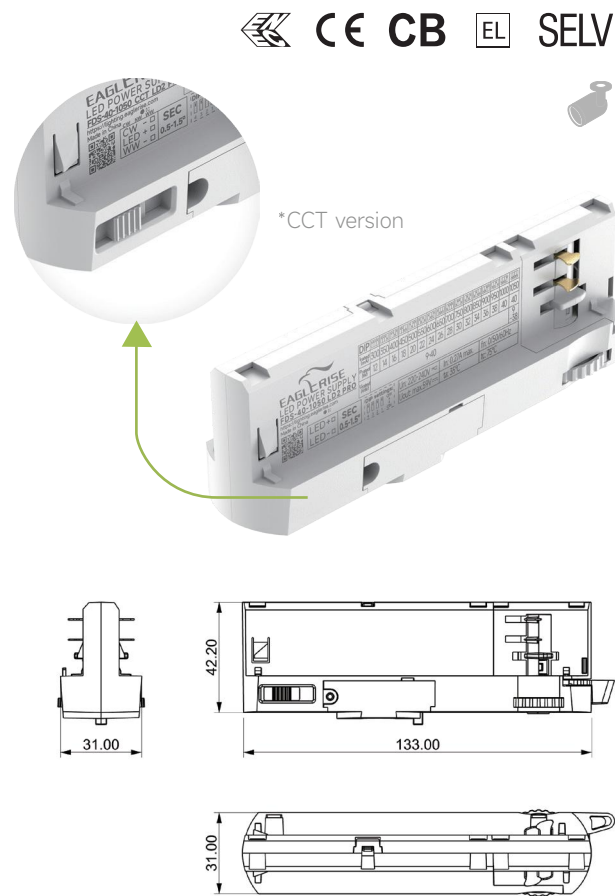


Model	Power	Input Voltage	Output Current	Output Voltage	Efficiency	Power Factor	Size (L*W*H)
FDS-32-800 Blue LN-CSB	32W	220-240VAC	200-800mA	2.5-42V	89%	0.95	161*31*42mm

Track - ON/OFF (Dip switch) Series

Three phases

- For luminaire of protection class II
- Isolated / SELV
- Input Voltage 220-240 VAC
- Protection: SCP/ OLP/ OVP/ OTP
- Output current adjusted via DIP Switch
- 4 Wires 3 Circuit Track System
- Efficiency > 90% ; Power Factor > 0.95
- Adaptation to mainstream brands of tracks
- Available in black, white and grey
- 5 years warranty
- Ta, Tc: 35°C/ 75°C
- Optional CCT

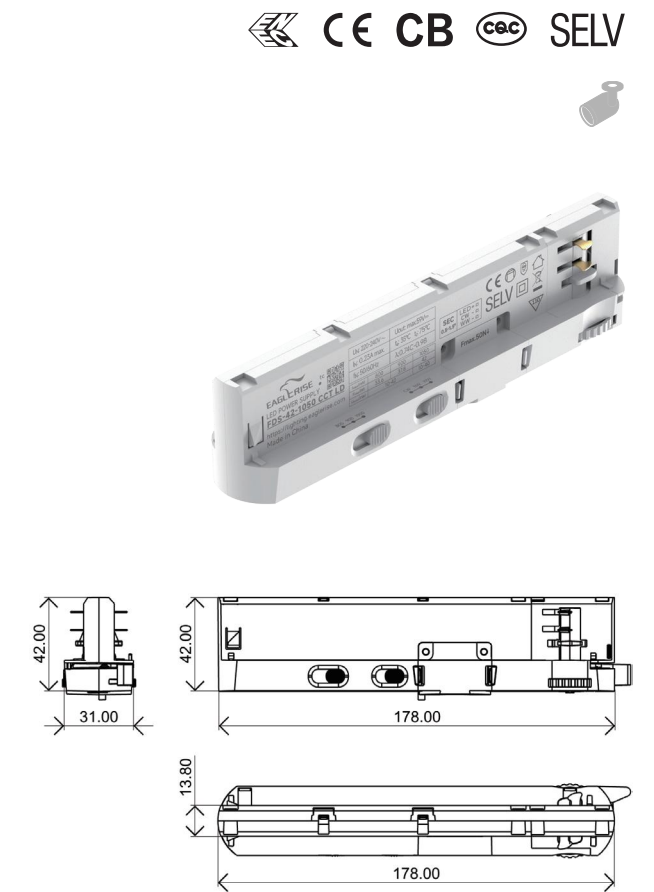


Model	Power	Input Voltage	Output Current	Output Voltage	Efficiency	Power Factor	Size (L*W*H)
FDS-40-1050 CCT LD2 PRO	40W	220-240VAC	300-1050mA	9-40V	90%	0.95	133*31*42mm
FDS-40-1050 LD2 PRO	40W	220-240VAC	300-1050mA	9-40V	90%	0.95	133*31*42mm

Track - ON/OFF (Dip switch) Series

Three phases

- For luminaire of protection class II
- Isolated / SELV
- Input Voltage 220-240 VAC
- Protection: SCP/ OLP/ OVP/ OTP
- Output current adjusted via dip-switch;
16 current steps
- 4 Wires 3 Circuit Track System
- Flexible CCT setting via 3-way DIP Switch
- Efficiency > 89% ; Power Factor > 0.95
- Adaptation to mainstream brands of tracks
- Available in black, white and grey
- 5 years warranty
- Ta, Tc: 35°C/ 75°C



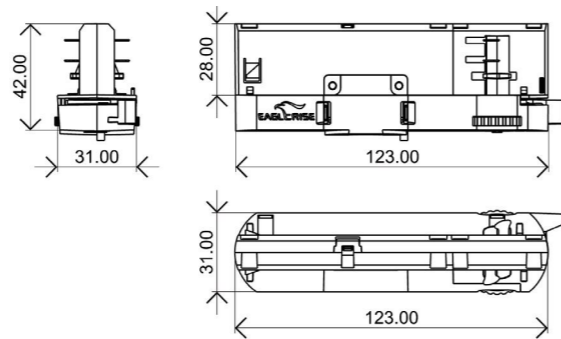
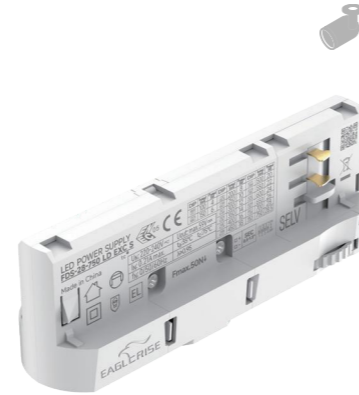
Model	Power	Input Voltage	Output Current	Output Voltage	Efficiency	Power Factor	Size (L*W*H)
FDS-42-1050 CCT LD	42W	220-240VAC	800-900-1050mA	10-42V	89%	0.95	178*31*42mm

Track - ON/OFF (Dip switch) Series

Three phases

- For luminaire of protection class II
- Isolated / SELV
- Input Voltage 220-240 VAC
- Protection: SCP/ OLP/ OVP/ OTP
- Output current adjusted via dip-switch
- 4 Wires 3 Circuit Track System
- Efficiency > 90% ; Power Factor > 0.95
- Adaptation to mainstream brands of tracks
- Available in black, white and grey
- Length: 123mm
- 5 years warranty
- Ta, Tc: 35°C / 75°C

CE CB SELV



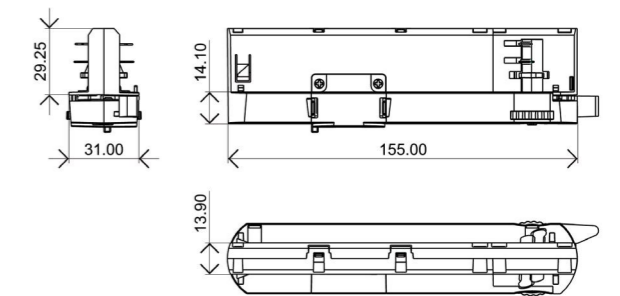
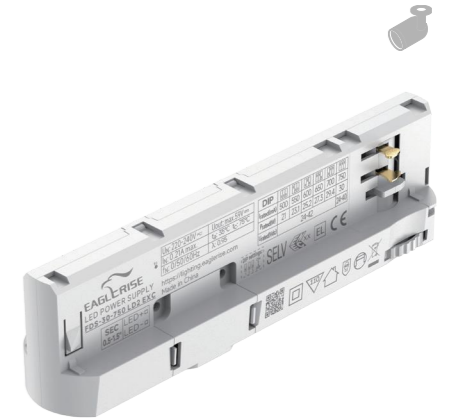
Model	Power	Input Voltage	Output Current	Output Voltage	Efficiency	Power Factor	Size (L*W*H)
FDS-20-500 LD EXC S	20W	220-240VAC	150-500mA	10-40V	90%	0.95	123*31*42mm
FDS-28-750 LD EXC S	28W	220-240VAC	100-750mA	10-40V	88%	0.95	123*31*42mm
FDS-42-1050 LD EXC S	42W	220-240VAC	700-1050mA	10-42V	90%	0.95	133*31*42mm

Track - ON/OFF (Dip switch) Series

Three phases

- For luminaire of protection class II
- Isolated / SELV
- Input Voltage 220-240 VAC
- Protection: SCP/ OLP/ OVP/ OTP
- Output current adjusted via dip-switch;
6 current steps
- 4 Wires 3 Circuit Track System
- Efficiency > 90% ; Power Factor > 0.95
- Adaptation to mainstream brands of tracks
- Available in black, white and grey
- 5 years warranty
- Ta, Tc: 35°C / 75°C

CE CB SELV



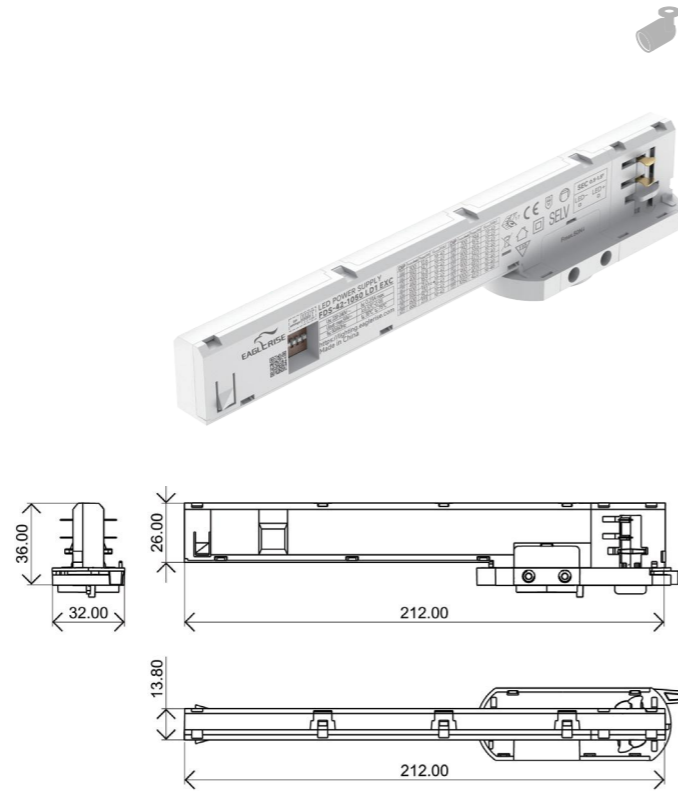
Model	Power	Input Voltage	Output Current	Output Voltage	Efficiency	Power Factor	Size (L*W*H)
FDS-18-450 LD2 EXC	18W	220-240VAC	200-450mA	24-42V	89%	0.95	155*31*42mm
FDS-30-750 LD2 EXC	30W	220-240VAC	500-750mA	24-42V	90%	0.95	155*31*42mm
FDS-42-1050 LD2 EXC	42W	220-240VAC	800-1050mA	24-42V	90%	0.95	155*31*42mm

Track - ON/OFF (Dip switch) Series

Three phases

- For luminaire of protection class II
- Isolated / SELV
- Input Voltage 220-240 VAC
- Protection: SCP/ OLP/ OVP/ OTP
- Output current adjusted via dip-switch;
16 current steps
- 4 Wires 3 Circuit Track System
- Semi-hidden type
- Efficiency > 89% ; Power Factor > 0.95
- Adaptation to mainstream brands of tracks
- Available in black, white and grey
- 5 years warranty
- Ta, Tc: 35°C/ 75°C

CE CB cec SELV



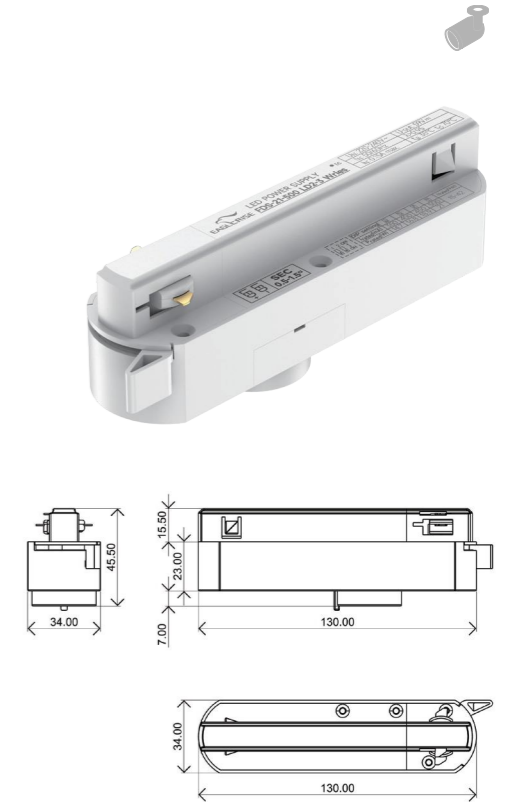
Model	Power	Input Voltage	Output Current	Output Voltage	Efficiency	Power Factor	Size (L*W*H)
FDS-42-1050 LD1 EXC	42W	220-240VAC	300-1050mA	10-42V	89%	0.95	212*32*36mm

Track - ON/OFF (Dip switch) Series

Single phase

- For luminaire of protection class II
- Isolated / SELV
- Input Voltage 220-240 VAC
- Protection: SCP/ OLP/ OVP/ OTP
- Output current adjusted via dip-switch
- 3 Wires Single Circuit Track System
- Efficiency > 89.5% ; Power Factor > 0.95
- Adaptation to mainstream brands of tracks
- Available in black, white and grey
- 5 years warranty
- Ta, Tc: 35°C/ 75°C

CB cec SELV



Model	Power	Input Voltage	Output Current	Output Voltage	Efficiency	Power Factor	Size (L*W*H)
FDS-12-300 LD2-3 Wires	12W	220-240VAC	150-300mA	15-42V	85%	0.95	130*34*45.5mm
FDS-21-500 LD2-3 Wires	21W	220-240VAC	350-500mA	15-42V	88%	0.95	130*34*45.5mm
FDS-30-750 LD2-3 Wires	30W	220-240VAC	600-750mA	15-42V	89.5%	0.95	130*34*45.5mm
FDS-42-1050 LD2-3 Wires	42W	220-240VAC	700-1050mA	15-42V	89.5%	0.95	130*34*45.5mm

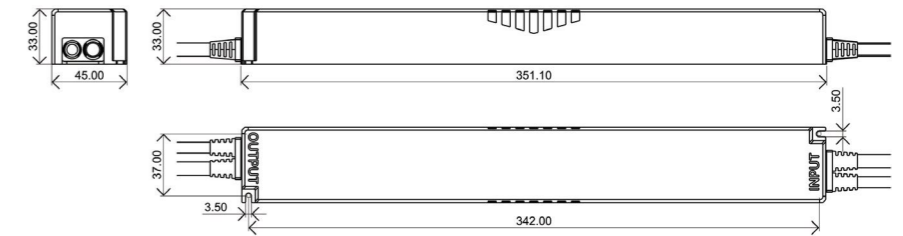
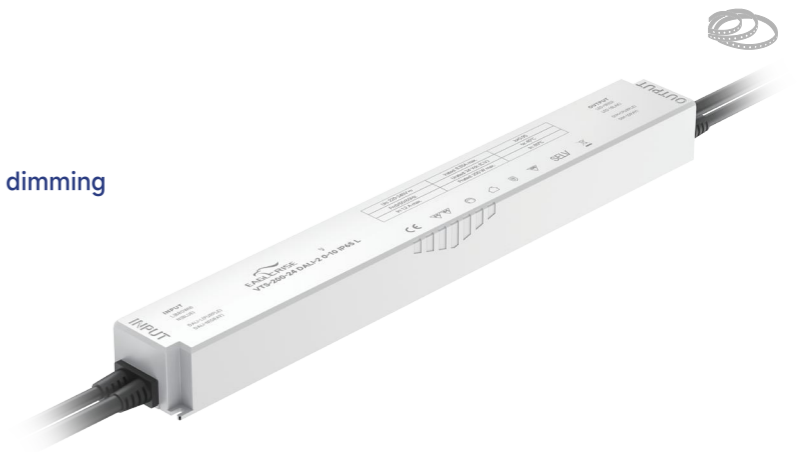
LED DRIVER C.V. SERIES

Application:
LED strip light

CV - Intelligent Series DALI-2 +0-10V



- For luminaire of protection class I and class II
- Isolated / SELV / Independent
- Input Voltage 220-240 VAC
- Protection: SCP/ OLP/ OVP/ OTP
- Support DALI, PUSH, 0-10V, PWM and RX dimming
- Corridor mode
- DALI-2 Parts 251, 252 and 253
- Dimming range 1% to 100%
- Efficiency > 91%
- Power Factor > 0.95
- 5 years warranty
- Ta, Tc: 45°C/ 80°C



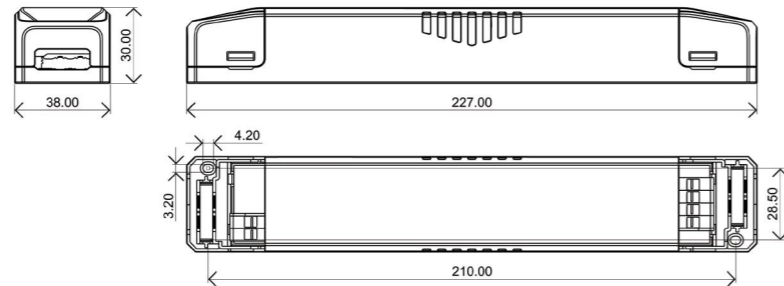
CV

Model	Power	Input Voltage	Output Current	Output Voltage	Efficiency	Power Factor	Size (L*W*H)
VTS-200-24 DALI-2 0-10 IP65 L	200W	220-240VAC	0-8.33A	24V	91%	0.95	350*45*33mm
VTS-200-24 DALI-2 0-10 L	200W	220-240VAC	0-8.33A	24V	91%	0.95	350*45*33mm

CV - Intelligent Series

DALI-2 DT8+NFC

- For luminaire of protection class I and class II
- Isolated / SELV / Independent
- Input Voltage 220-240 VAC
- Protection: SCP/ OLP/ OVP/ OTP
- Tunable White DT8, Push Dimming, Corridor mode
- DALI-2 Parts 209, 251, 252 and 253
- Dimming range 1% to 100%
- Efficiency>91%
- Power Factor>0.95
- 5 years warranty
- Ta, Tc: 45°C/ 80°C
- LN ADV: DT8 mode & DT6 mode switchable by NFC
- LI1: can be used in DT8 mode

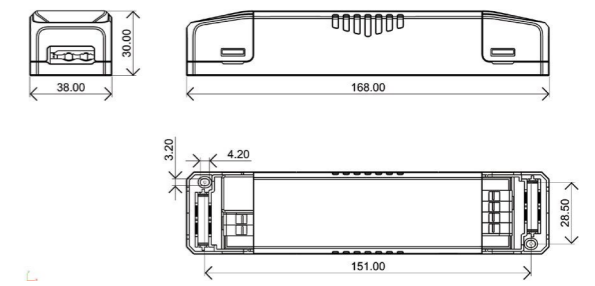


Model	Power	Input Voltage	Output Current	Output Voltage	Efficiency	Power Factor	Size (L*W*H)
LS-45-24 DALI-2 DT8 LN ADV	45W	220-240VAC	0-1.88A	24V	89%	0.95	227*38*30mm
LS-45-24 DALI-2 DT8 LI1	45W	220-240VAC	0-1.88A	24V	89%	0.95	227*38*30mm
LS-80-24 DALI-2 DT8 LN ADV	80W	220-240VAC	0-3.33A	24V	89%	0.95	318*38*30mm
LS-80-24 DALI-2 DT8 LI1	80W	220-240VAC	0-3.33A	24V	89%	0.95	318*38*30mm
LS-150-24 DALI-2 DT8 LN ADV	150W	220-240VAC	0-6.25A	24V	90%	0.95	318*38*30mm
LS-150-24 DALI-2 DT8 LI1	150W	220-240VAC	0-6.25A	24V	91%	0.95	318*38*30mm

CV - Intelligent Series

DALI-2

- For luminaire of protection class I and class II
- Isolated / SELV / Independent
- Input Voltage 220-240 VAC
- Protection: SCP/ OLP/ OVP/ OTP
- DALI Dimming, Push Dimming, Corridor mode
- DALI-2 Parts 251, 252 and 253
- Dimming range 1% to 100%
- Efficiency>91%
- Power Factor>0.95
- 5 years warranty
- Ta, Tc: 45°C/ 85°C

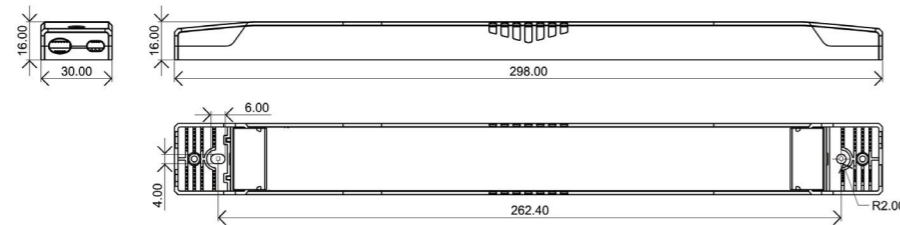


Model	Power	Input Voltage	Output Current	Output Voltage	Efficiency	Power Factor	Size (L*W*H)
LS-45-24 DALI-2 LI1	45W	220-240VAC	0-1.88A	24V	87%	0.95	168*38*30mm
LS-80-24 DALI-2 LI1	80W	220-240VAC	0-3.33A	24V	89%	0.95	227*38*30mm
LS-150-24 DALI-2 LI1	150W	220-240VAC	0-6.25A	24V	91%	0.95	318*38*30mm
LS-250-24 DALI-2 LI	250W	220-240VAC	0-10.41A	24V	91%	0.95	431*45*30mm

CV - Intelligent Series

DALI-2

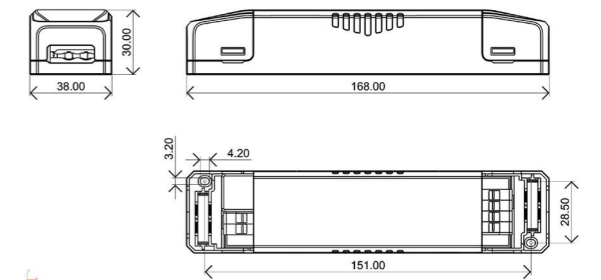
- For luminaire of protection class I and class II
- Isolated / SELV / Independent
- Input Voltage 220-240 VAC
- Protection: SCP/ OLP/ OVP/ OTP
- DALI Dimming, Push Dimming, Corridor mode
- DALI-2 Parts 251, 252 and 253
- Dimming range 1% to 100%
- Efficiency>89%
- Power Factor>0.95
- 5 years warranty
- Ta, Tc: 45°C/ 85°C



CV - Intelligent Series

0-10V

- Class II, SELV, Independent
- Input Voltage 220-240VAC
- Protections: SCP/OLP/OTP
- Power Factor: 0.95(Typ.)
- Efficiency: ≥92%(Typ.)
- 5 years warranty
- Support 0-10V,RX,PWM Dimming



Model	Power	Input Voltage	Output Current	Output Voltage	Efficiency	Power Factor	Size (L*W*H)
US-60-24 DALI-2 LI	60W	220-240VAC	0-2.5A	24V	89%	0.95	353*30*18mm
US-100-24 DALI-2 LI	100W	220-240VAC	0-4.16A	24V	89%	0.95	353*30*18mm
US-150-24 DALI-2 LI	150W	220-240VAC	0-6.25A	24V	90%	0.95	383*30*18mm

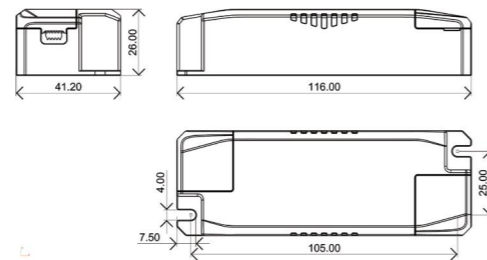
Model	Power	Input Voltage	Output Current	Output Voltage	Efficiency	Power Factor	Size (L*W*H)
LS-45-24 0-10 LI	45W	220-240VAC	0-1.88A	24V	87%	0.95	168*38*30mm
LS-80-24 0-10 LI	80W	220-240VAC	0-3.33A	24V	89%	0.95	227*38*30mm
LS-150-24 0-10 LI	150W	220-240VAC	0-6.25A	24V	92%	0.95	318*38*30mm
LS-250-24 0-10 LI	250W	220-240VAC	0-10.41A	24V	91%	0.95	431*45*30.5mm

CV Series

ON/OFF

- For luminaire of protection class II
- Isolated / SELV / Independent
- Input Voltage 220-240 VAC
- Protection: SCP/ OLP/ OVP/ OTP
- Efficiency>89%
- Power Factor>0.95
- 5 years warranty
- Ta, Tc: 45°C/ 80°C

SELV

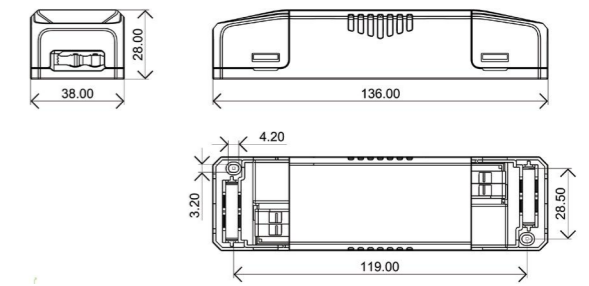


CV Series

ON/OFF

- For luminaire of protection class I and class II
- Isolated / SELV / Independent
- Input Voltage 220-240 VAC
- Protection: SCP/ OLP/ OVP/ OTP
- Efficiency>93%
- Power Factor>0.95
- 5 years warranty
- Ta, Tc: 45°C/ 85°C

CE CB SELV SAA



Model	Power	Input Voltage	Output Current	Output Voltage	Efficiency	Power Factor	Size (L*W*H)
LS-30-12 LI1 EXC	30W	220-240VAC	0-2.5A	12V	86%	0.95	116*41.2*26mm
LS-30-24 LI1 EXC	30W	220-240VAC	0-1.25A	24V	86%	0.95	116*41.2*26mm
LS-30-48 LI1 EXC	30W	220-240VAC	0-0.625A	48V	86%	0.95	116*41.2*26mm
LS-60-12 LI1 EXC	60W	220-240VAC	0-5A	12V	88%	0.95	150*45*30mm
LS-60-24 LI1 EXC	60W	220-240VAC	0-2.5A	24V	88%	0.95	150*45*30mm
LS-75-12 LI1 EXC	75W	220-240VAC	0-6.25A	12V	89%	0.95	150*45*30mm
LS-75-24 LI1 EXC	75W	220-240VAC	0-3.13A	24V	89%	0.95	150*45*30mm

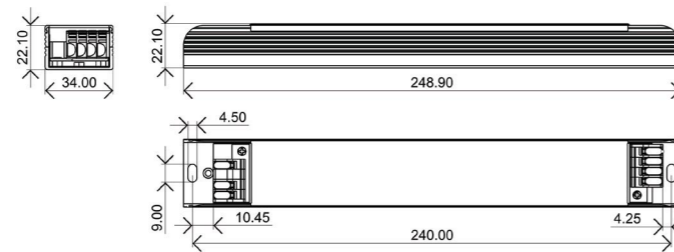
Model	Power	Input Voltage	Output Current	Output Voltage	Efficiency	Power Factor	Size (L*W*H)
LS-30-12 LI EXC	30W	220-240VAC	0-2.5A	12V	87%	0.95	136*38*28mm
LS-30-24 LI EXC	30W	220-240VAC	0-1.25A	24V	87%	0.95	136*38*28mm
LS-60-12 LI EXC	60W	220-240VAC	0-5A	12V	88%	0.95	168*38*30mm
LS-60-24 LI EXC	60W	220-240VAC	0-2.5A	24V	88%	0.95	168*38*30mm
LS-75-12 LI EXC	75W	220-240VAC	0-6.25A	12V	88%	0.95	168*38*30mm
LS-75-24 LI EXC	75W	220-240VAC	0-3.13A	24V	89%	0.95	168*38*30mm
LS-75-48 LI EXC	75W	220-240VAC	0-1.56A	48V	90%	0.95	168*38*30mm
LS-120-24 LI EXC	120W	220-240VAC	0-5A	24V	93%	0.95	227*38*30mm
LS-120-48 LI EXC	120W	220-240VAC	0-2.5A	48V	93%	0.95	227*38*30mm
LS-150-24 LI EXC	150W	220-240VAC	0-6.25A	24V	93%	0.95	227*38*30mm
LS-150-48 LI EXC	150W	220-240VAC	0-3.13A	48V	93%	0.95	227*38*30mm
LS-200-24 LI EXC	200W	220-240VAC	0-8.33A	24V	93%	0.95	318*45*30mm
LS-200-48 LI EXC	200W	220-240VAC	0-4.17A	48V	93%	0.95	318*45*30mm
LS-250-24 LI EXC	250W	220-240VAC	0-10.4A	24V	93%	0.95	318*45*30mm
LS-250-48 LI EXC	250W	220-240VAC	0-5.2A	48V	93%	0.95	318*45*30mm

CV Series

ON/OFF

- For luminaire of protection class I and class II
- Isolated / SELV / Independent
- Input Voltage 220-240 VAC
- Protection: SCP/ OLP/ OVP/ OTP
- Efficiency>92%
- Power Factor>0.95
- 5 years warranty
- Ta, Tc: 45°C/ 85°C

CE CB SELV

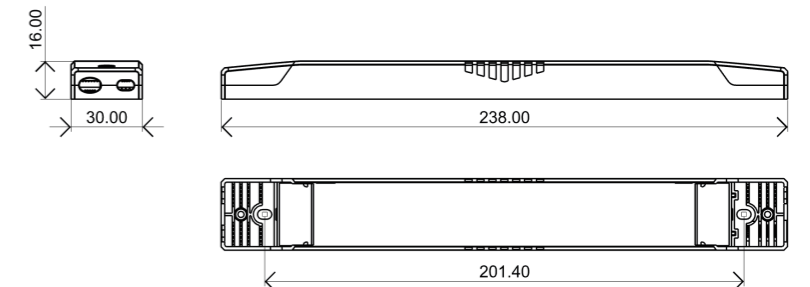


CV Series

Ultrathin

- For luminaire of protection class I and class II
- Isolated / SELV / Independent
- Input Voltage 220-240 VAC
- Protection: SCP/ OLP/ OVP/ OTP
- Efficiency>93%
- Power Factor>0.95
- 5 years warranty
- Ta, Tc: 45°C/ 85°C

CE CB SELV



CV

CV

Model	Power	Input Voltage	Output Current	Output Voltage	Efficiency	Power Factor	Size (L*W*H)
MS-150-48 LX-YX1	150W	220-240VAC	0-3.125A	48V	92%	0.95	249*34*22mm

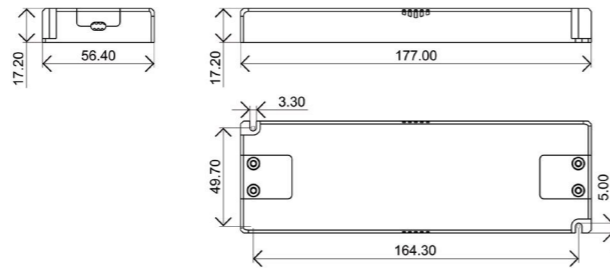
Model	Power	Input Voltage	Output Current	Output Voltage	Efficiency	Power Factor	Size (L*W*H)
US-30-12 LI EXC	30W	220-240VAC	0-2.5A	12V	88%	0.95	238*30*16mm
US-30-24 LI EXC	30W	220-240VAC	0-1.25A	24V	88%	0.95	238*30*16mm
US-60-12 LI EXC	60W	220-240VAC	0-5A	12V	88%	0.95	298*30*16mm
US-60-24 LI EXC	60W	220-240VAC	0-2.5A	24V	88%	0.95	298*30*16mm
US-100-12 LI EXC	100W	220-240VAC	0-8.33A	12V	90%	0.95	353*30*18mm
US-100-24 LI EXC	100W	220-240VAC	0-4.17A	24V	90%	0.95	353*30*18mm
US-150-24 LI EXC	150W	220-240VAC	0-6.25A	24V	93%	0.95	353*30*18mm
US-150-48 LI EXC	150W	220-240VAC	0-3.13A	48V	93%	0.95	353*30*18mm
US-200-24 LI EXC	200W	220-240VAC	0-8.33A	24V	93%	0.95	383*30*18mm
US-200-48 LI EXC	200W	220-240VAC	0-4.17A	48V	93%	0.95	383*30*18mm

CV Series

Ultrathin

- For luminaire of protection class I and class II
- Isolated / SELV / Independent
- Input Voltage 220-240 VAC
- Protection: SCP/ OLP/ OVP/ OTP
- Efficiency>93%
- Power Factor>0.85
- 5 years warranty
- Ta, Tc: 45°C/ 85°C

CE CB SELV

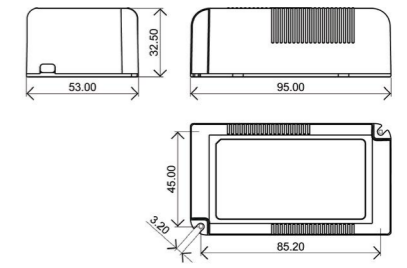
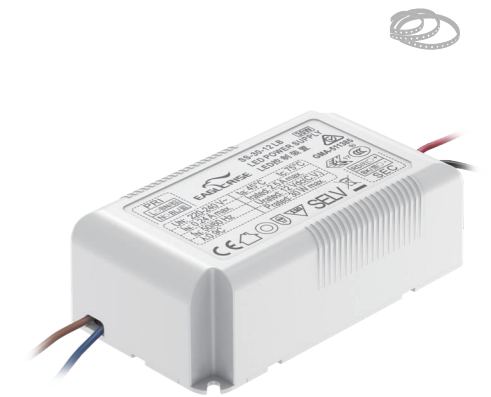


CV Series

Lead Wire

- For luminaire of protection class I and class II
- Isolated / SELV / Independent
- Input Voltage 220-240 VAC
- Protection: SCP/ OLP/ OVP/ OTP
- Efficiency>87%
- Power Factor>0.95
- 5 years warranty
- Ta, Tc: 45°C/ 85°C

CE CB SAA SELV



CV

CV

Model	Power	Input Voltage	Output Current	Output Voltage	Efficiency	Power Factor	Size (L*W*H)
US-30-12 LI EXC S	30W	220-240VAC	0-2.5A	12V	88%	0.95	154*50*14mm
US-30-24 LI EXC S	30W	220-240VAC	0-1.25A	24V	88%	0.95	154*50*14mm
US-60-12 LI EXC S	60W	220-240VAC	0-5A	12V	91%	0.95	154*50*14mm
US-60-24 LI EXC S	60W	220-240VAC	0-2.5A	24V	88%	0.95	154*50*14mm
US-75-12 LI EXC S	75W	220-240VAC	0-6.25A	12V	89%	0.95	174*50*14.8mm
US-75-24 LI EXC S	75W	220-240VAC	0-3.125A	24V	89%	0.95	174*50*14.8mm
US-100-12 LI EXC S	100W	220-240VAC	0-8.33A	12V	91%	0.95	177*56.4*17.2mm
US-100-24 LI EXC S	100W	220-240VAC	0-4.16A	24V	91%	0.95	177*56.4*17.2mm
US-150-12 LI EXC S	150W	220-240VAC	0-11A	12V	92%	0.95	177*56.4*17.2mm
US-150-24 LI EXC S	150W	220-240VAC	0-6.25A	24V	93%	0.95	177*56.4*17.2mm

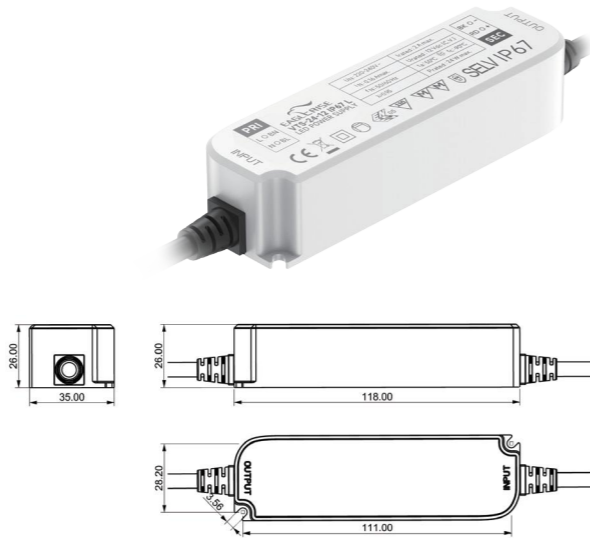
Model	Power	Input Voltage	Output Current	Output Voltage	Efficiency	Power Factor	Size (L*W*H)
SS-30-12 LB	30W	220-240VAC	0-2.75A	12V	85%	0.95	95*53*32.5mm
SS-30-12 LB	30W	220-240VAC	0-1.25A	24V	85%	0.95	95*53*32.5mm
SS-45-12 LB	45W	220-240VAC	0-3.75A	12V	85%	0.95	95*53*32.5mm
SS-45-12 LB	45W	220-240VAC	0-1.88A	24V	85%	0.95	95*53*32.5mm
SS-60-24 LB	60W	220-240VAC	0-2.5A	24V	87%	0.95	110.5*59.5*32.5mm

CV Series

IP67

- For luminaire of protection class I and class II
- Isolated / SELV / Independent
- Input Voltage 220-240 VAC
- Protection: SCP/ OLP/ OVP/ OTP
- Efficiency>92%
- Power Factor>0.95
- 5 years warranty
- Ta, Tc: 45°C/ 80°C

CE CB SELV

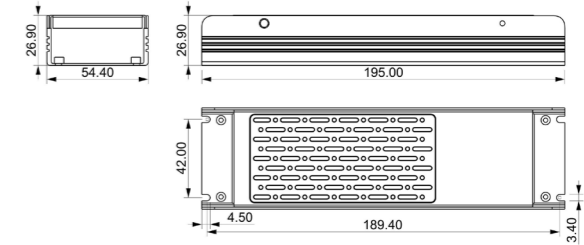


CV Series

Switch Power Supply

- For luminaire of protection class I and II
- Isolated / SELV / Independent
- Input Voltage 100-240VAC
- Protection: SCP/ OLP/ OVP/ OTP
- Efficiency>93%
- Power Factor>0.95
- Ta, Tc: 70°C/ 90°C

SELV



CV

CV

Model	Power	Input Voltage	Output Current	Output Voltage	Efficiency	Power Factor	Size (L*W*H)
VTS-24-12 IP67 L	24W	220-240VAC	0-2A	12V	86%	0.95	118*35*26mm
VTS-24-24 IP67 L	24W	220-240VAC	0-1A	24V	86%	0.95	118*35*26mm
VTS-40-12 IP67 L	40W	220-240VAC	0-3.34A	12V	86%	0.95	148*42*30mm
VTS-40-24 IP67 L	40W	220-240VAC	0-1.67A	24V	88%	0.95	148*42*30mm
VTS-60-12 IP67 L	60W	220-240VAC	0-5A	12V	86.5%	0.95	162*42*32mm
VTS-60-24 IP67 L	60W	220-240VAC	0-2.5A	24V	89%	0.95	162*42*32mm
VTS-100-12 IP67 L	100W	220-240VAC	0-8.33A	12V	87%	0.95	190*52*33mm
VTS-100-24 IP67 L	100W	220-240VAC	0-4.17A	24V	89%	0.95	190*52*33mm
VTS-160-12 IP67 L	160W	220-240VAC	0-13.3A	12V	91%	0.95	190*52*37.5mm
VTS-160-24 IP67 L	160W	220-240VAC	0-6.67A	24V	92%	0.95	190*52*37.5mm
VTS-160-48 IP67 L	160W	220-240VAC	0-3.33A	48V	92%	0.95	190*52*37.5mm

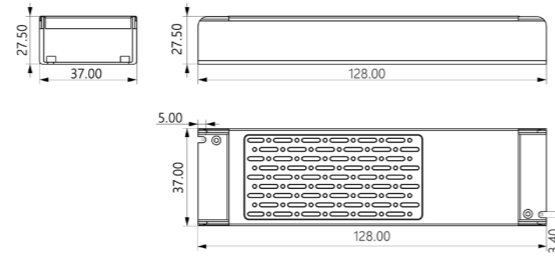
Model	Power	Input Voltage	Output Current	Output Voltage	Efficiency	Power Factor	Size (L*W*H)
MH-60-24 LI	60W	100-240VAC	0-2.5A	24V	88.5%	0.9	141*55*27mm
MH-60-36 LI	60W	100-240VAC	0-1.67A	36V	89%	0.9	141*55*27mm
MH-60-48 LI	60W	100-240VAC	0-1.25A	48V	89.5%	0.9	141*55*27mm
MH-100-24 LI	100W	100-240VAC	0-4.17A	24V	88.5%	0.9	152*55*27mm
MH-100-36 LI	100W	100-240VAC	0-2.78A	36V	89%	0.9	152*55*27mm
MH-100-48 LI	100W	100-240VAC	0-2.08A	48V	89.5%	0.9	152*55*27mm
MH-200-24 LI	200W	100-240VAC	0-8.33A	24V	92%	0.9	195*55*27mm
MH-200-36 LI	200W	100-240VAC	0-5.56A	36V	92.5%	0.9	195*55*27mm
MH-200-48 LI	200W	100-240VAC	0-4.17A	48V	92.5%	0.9	195*55*27mm
MH-300-24 LI	300W	100-240VAC	0-12.5A	24V	92.5%	0.9	224*62*32mm
MH-300-36 LI	300W	100-240VAC	0-8.33A	36V	93%	0.9	224*62*32mm
MH-300-48 LI	300W	100-240VAC	0-6.25A	48V	93%	0.9	224*62*32mm
MH-400-24 LI	400W	100-240VAC	0-16.66A	24V	93.5%	0.9	231*79*32mm
MH-400-36 LI	400W	100-240VAC	0-11.11A	36V	93.5%	0.9	231*79*32mm
MH-400-48 LI	400W	100-240VAC	0-8.33A	48V	93.5%	0.9	231*79*32mm

CV Series

Switch Power Supply

- For luminaire of protection class I and II
- Isolated / SELV / Independent
- Input Voltage 220-240VAC
- Protection: SCP/ OLP/ OVP/ OTP
- Efficiency>91%
- Ta, Tc: 70°C/ 90°C

SELV



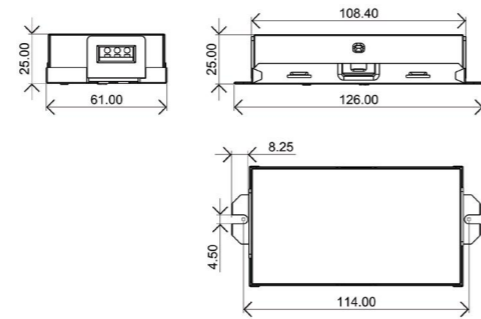
Model	Power	Input Voltage	Output Current	Output Voltage	Efficiency	Power Factor	Size (L*W*H)
MS-60-24 SI	60W	220-240VAC	0-2.5A	24V	89%	0.5	128*37*27.5mm
MS-100-24 SI	100W	220-240VAC	0-4.17A	24V	89%	0.5	162*51*27.5mm
MS-150-24 SI	150W	220-240VAC	0-6.25A	24V	90%	0.5	198*51*27.5mm
MS-200-24 SI	200W	220-240VAC	0-8.33A	24V	90%	0.5	198*51*27.5mm
MS-250-24 SI	250W	220-240VAC	0-10.42A	24V	91%	0.5	228*51*27.5mm
MS-300-24 SI	300W	220-240VAC	0-12.5A	24V	91%	0.5	248*51*27.5mm

LED DRIVER NORTH AMERICAN SERIES

North American Series

0-10V+TRIAC

- For luminaire of protection class I and class II
- Isolated / SELV / Independent
- Input Voltage 120-277 VAC
- Protection: SCP/ OLP/ OVP/ OTP
- Efficiency>85%
- Power Factor>0.9
- 5 years warranty
- Ta, Tc: 45°C/ 80°C

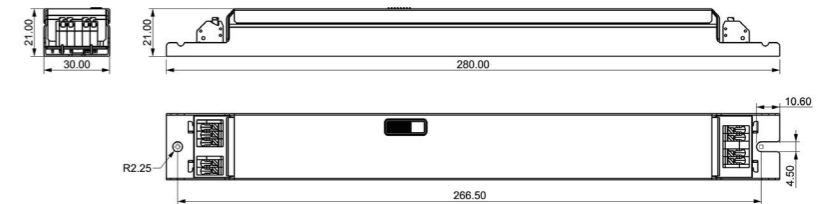
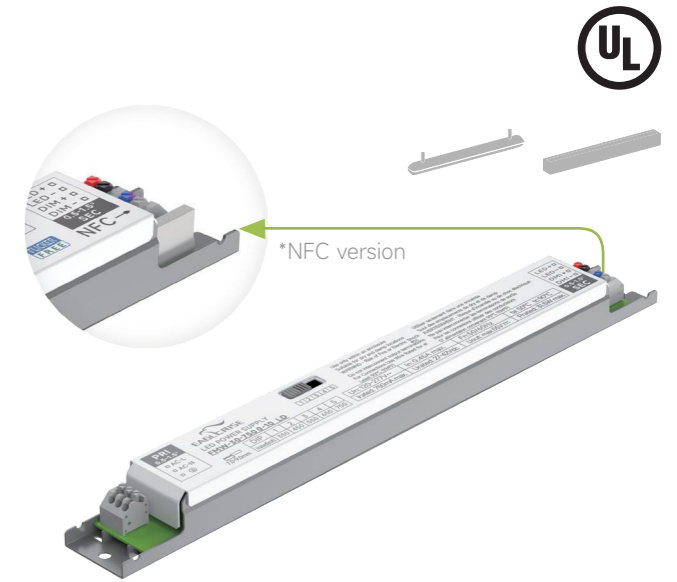


Model	Power	Input Voltage	Output Current	Output Voltage	Efficiency	Power Factor	Size (L*W*H)
FMW-30-750 0-10 TRIAC LD-S	30W	120-277VAC	350-750mA	27-42V	85%	0.9	108.4*61*25mm
FMW-50-1250 0-10 TRIAC LD-S	50W	120-277VAC	750-1250mA	27-42V	85%	0.9	108.4*61*25mm

North American Series

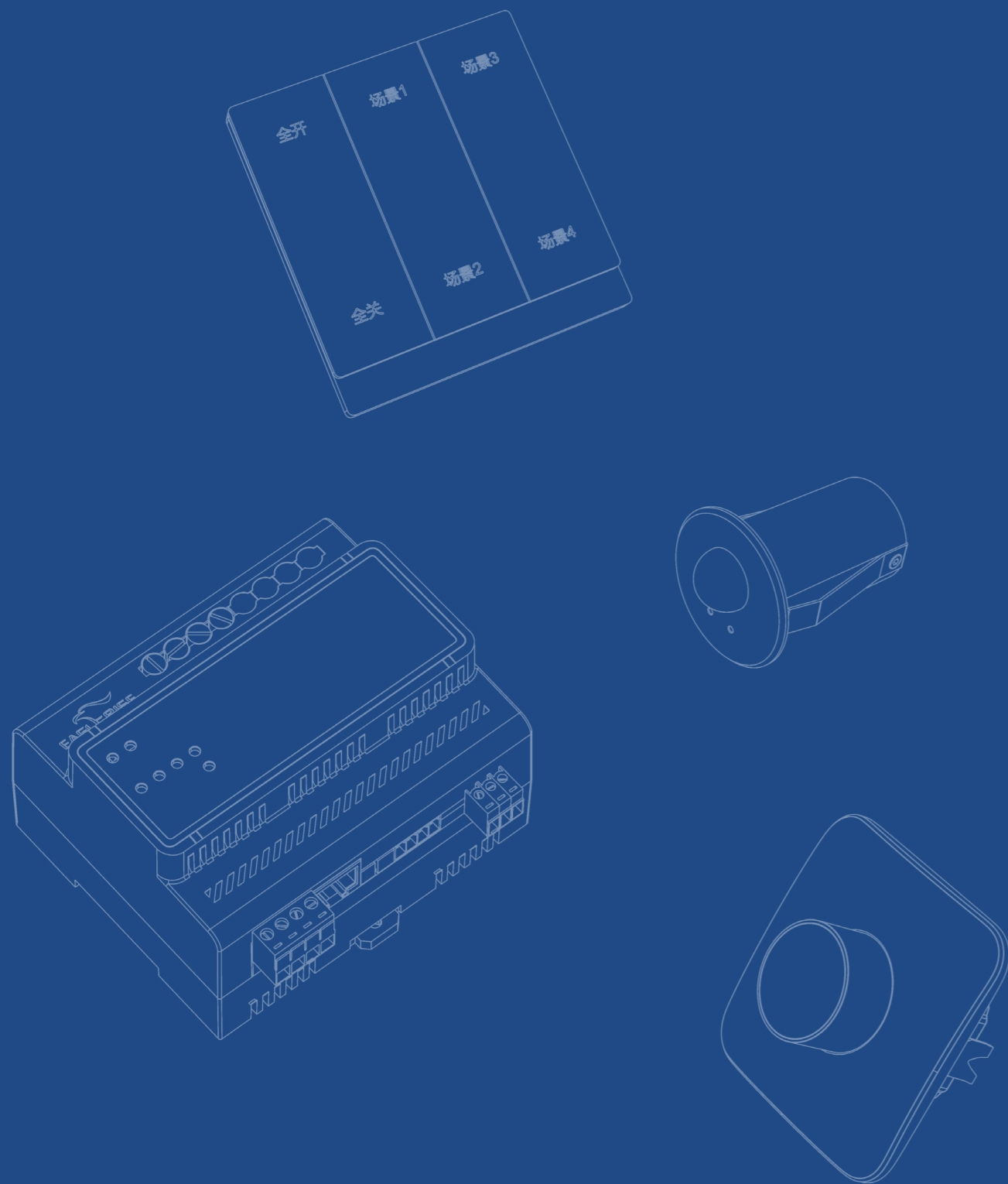
0-10V+NFC

- For luminaire of protection class I and class II
- Isolated / SELV / Independent
- Input Voltage 120-277 VAC
- Protection: SCP/ OLP/ OVP/ OTP
- Efficiency>85%
- Power Factor>0.95
- 5 years warranty
- Ta, Tc: 45°C/ 80°C
- LD: Output current adjusted via dip-switch
- LN: Output current adjusted via NFC



Model	Power	Input Voltage	Output Current	Output Voltage	Efficiency	Power Factor	Size (L*W*H)
FMW-30-750 0-10 LD	30W	120-277VAC	350-750mA	27-42V	85%	0.9	280*30*21mm
FMW-30-750 0-10 LN	30W	120-277VAC	350-750mA	27-42V	85%	0.9	280*30*21mm
FMW-50-1250 0-10 LD	50W	120-277VAC	750-1250mA	27-42V	85%	0.9	280*30*21mm
FMW-50-1250 0-10 LN	50W	120-277VAC	750-1250mA	27-42V	85%	0.9	280*30*21mm

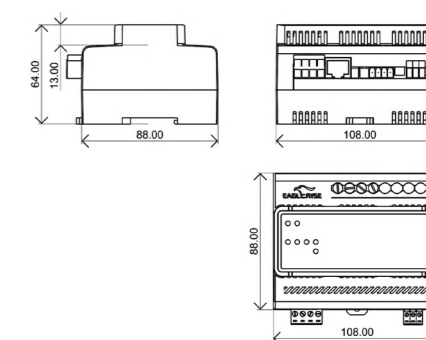
LED DRIVER ACCESSORIES SERIES



Accessories Series

DALI Gateway

- Input Voltage range: 22-26 VDC; Max output current: 250mA*2
- 35mm DIN rail mounting for electrical distribution boxes (6P)
- Integrated with 2-channel DALI bus power supply
- Supports cross-bus power device interlinking
- Enables offline debugging and control via mobile app
- Compatible with RS485 system integration
- Compatible with CAN bus system integration

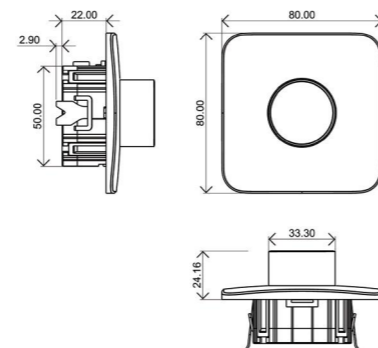


Model	Power	Input Voltage	Output Current	Output Voltage	Efficiency	Power Factor	Size (L*W*H)
ER-GW-DALI-2 02-A	5W	24V	250mA*2	16V*2	/	/	108*64*88mm

Accessories Series

DALI Dimmer

- Adopts the DALI standard protocol IEC 62386
- Integrates built-in bus power supply
- Supports brightness and color temperature memory
- Adjustable minimum brightness and color temperature range
- DALI broadcast mode available, requiring no commissioning

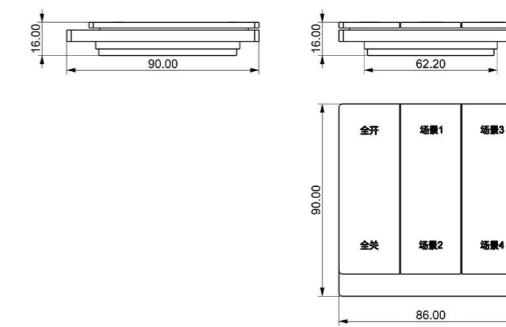


Model	Power	Input Voltage	Output Current	Output Voltage	Efficiency	Power Factor	Size (L*W*H)
ER-T-DALI-2 DT8 JQ-01 A	0.8W	16V	50mA	16V	/	/	80*80*28mm

Accessories Series

DALI Panel

- Compatible with all DALI-2 certified application controllers
- Supports "IEC 62386-332 feedback" function
- Powered via DALI-2 bus
- Available in 3 colors: white, gray, and gold
- Support control of 6 scenarios

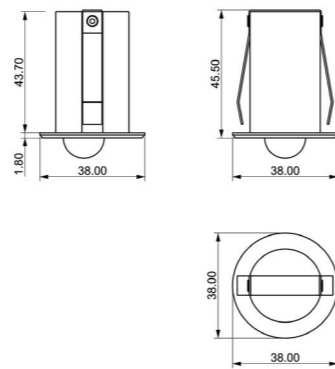


Model	Power	Input Voltage	Output Current	Output Voltage	Efficiency	Power Factor	Size (L*W*H)
ER-SP-DALI-2 06-A	/	16V	/	/	/	/	86*86*38mm

Accessories Series

DALI Sensor

- Illuminance sensing supports 0~1024 lux
- Temperature sensing supports -40~51°C
- Humidity sensing supports 0~100% RH
- Powered via DALI-2 bus
- Compact size, suitable for installation in tight spaces



Model	Power	Input Voltage	Output Current	Output Voltage	Efficiency	Power Factor	Size (L*W*H)
ER-BS-DALI-2 01-A	/	16V	/	/	/	/	Φ38*46.3mm

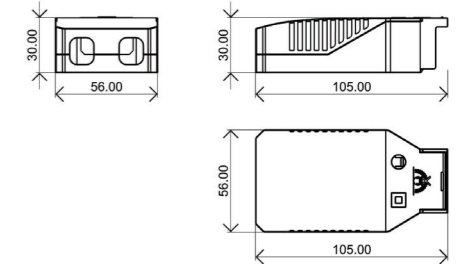
Optional Accessories (Require Additional Order)

Side Cap

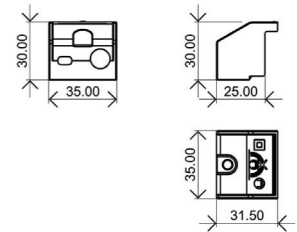
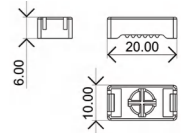
Suitable for:

- FLS-16-400 DALI-2 LD
- FLS-24-550 LD ECO
- FLS-26-700 DALI-2 LD1
- FLS-30-700 LD ECO
- FLS-30-700 DALI-2 LD ECO
- FLS-44-1050 DALI-2 LD ECO
- FLS-38-900 LD ECO
- FLS-42-1050 LD ECO
- FLS-42-1050 LD ADV
- FLS-42-1050 DALI-2 LD ADV
- FLS-42-1050 Blue LD-CSB ADV
- FLX-42-1050 DALI-2 0-10 LN PRO
- FLS-44-1050 DALI-2 LD2

Product Code	Description
132021T0197P1	Small side cap set (grey, with "Don't Cover" mark)
132021T0181P1	Small side cap set (white, with "Don't Cover" mark)
1270100280	Screws for small side cap
132021T0033P1-1	Big bottom side cap (white)
132021T0034P1-2	Big top side cap (grey)
132021T0079P1-2	Big top side cap (white)
126016T0009	5P terminal for big side cap
132038T0046P1	Crimp plate for big side cap
1290030208	Terminal block special lead for big side cap



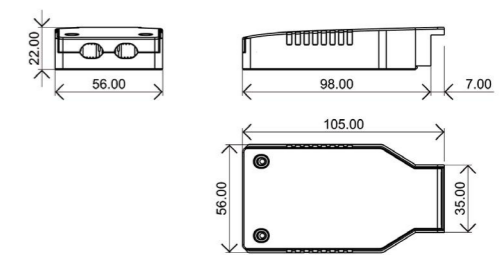
Big Side Cap



Small Side Cap

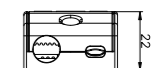
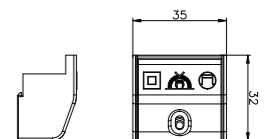
Suitable for

- FLS-20-500 LD1 PRO
- FLS-20-500 DALI-2 DT8 LN PRO
- FLS-20-500 DALI-2 DT8 LN ADV
- FLS-30-700 DALI-2 LD PRO
- FLS-30-700 DALI-2 LN PRO
- FLS-30-700 LD1 PRO
- FLS-38-900 LD1 PRO
- FLS-42-1050 LD PRO
- FLS-42-1050 DALI-2 LD PRO
- FLS-42-1050 DALI-2 LD1 PRO
- FLS-42-1050 DALI-2 DT8 LN PRO
- FLS-42-1050 LD1 PRO
- FLS-42-1050 DALI-2 DT8 LN ADV
- FLS-42-1050 DALI-2 LD2 PRO
- FLS-60-1500 DALI-2 LD PRO



Big Side Cap

Product Code	Description
132021T0377-2	Top grey side cap+ bottom white side cap (without "Don't Cover" mark)
132021T0377	Top grey side cap+ bottom white side cap (with "Don't Cover" mark)
132021T0377-1	Top white side cap+ bottom white side cap (with "Don't Cover" mark)
1270100280	Screws for small side cap
132021T0209P1	Big side cap set (Top grey side cap + bottom white side cap)
132021T0209P1-2	Big side cap set (Top white side cap + bottom white side cap)
1270100280	Screws for big side cap
126016T0009	5P terminal for big side cap
1290030208	Terminal block special lead for big side cap

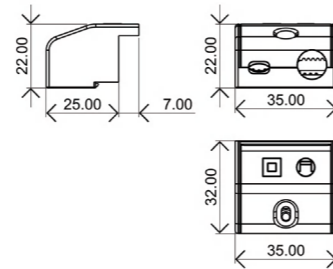


Small side cap

Side Cap

Suitable for

FLS-20-500 DALI-2 LD PRO
 FLS-20-500 DAL-2 LN PRO
 FLS-21-500 LD1 EXC
 FLS-30-700 LD1 EXC
 FLS-38-900 LD1 EXC
 FLS-40-1050 LD1 EXC



Product Code	Description
132021T0256P1	Small side cap set (grey, with "Don't Cover" mark)
1270100280	Screws for small side cap

Suitable for

FMS-35-350 N-S DALI-2 LD
 FMS-75-500 N-S DALI-2 LD
 FMS-100-1050 N-S DALI-2 LD
 FMS-150-1050 N-S DALI-2 LD

FMS-20-350 N-S LD EXC
 FMS-40-450 N-S LD EXC
 FMS-60-600 N-S LD EXC

FMS-20-350 N-S LD E
 FMS-40-350 N-S LD E
 FMS-60-350 N-S LD E
 FMS-80-350 N-S LD E

FMS-40-350 N-S LD-F
 FMS-40-700 N-S LD-F
 FMS-60-700 N-S LD-F

FMS-20-350 N-S LD1 E
 FMS-40-350 N-S LD1 E
 FMS-60-350 N-S LD1 E
 FMS-80-350 N-S LD1 E
 FMS-80-550 N-S LD1 E

FMS-20-350 N-S CCT LD EXC
 FMS-40-350 N-S CCT LD EXC
 FMS-60-350 N-S CCT LD EXC
 FMS-80-350 N-S CCT LD EXC
 FMS-80-550 N-S CCT LD EXC

FMS-40-350 N-S LD2 E
 FMS-60-350 N-S LD2 E
 FMS-80-350 N-S LD2 E

FMS-35-700 DALI-2 LD
 FMS-50-1050 DALI-2 LD
 FMS-75-1800 DALI-2 LD

FMX-35-700 DALI-2 0-10 LD
 FMX-50-1050 DALI-2 0-10 LD
 FMX-85-2100 DALI-2 0-10 LD
 FMX-85-2100 LD

FMS-40-350 N-S DALI-2 CCT LD

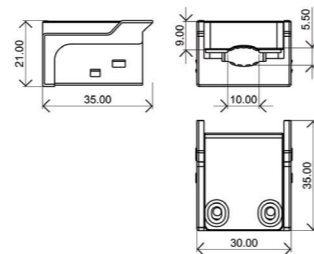
FMS-40-350 0-10 LD-F
 FMS-60-350 0-10 LD-F
 FMS-60-700 0-10 LD-F

FMS-20-350 LD EXC
 FMS-21-500 LD EXC
 FMS-24-500 LD EXC
 FMS-30-750 LD EXC
 FMS-35-650 LD EXC
 FMS-40-1050 LD EXC
 FMS-42-1050 LD EXC
 FMS-60-1200 LD EXC

FMS-60-1500 LD EXC
 FMS-60-1500 LD1 EXC
 FMS-75-1500 LD EXC
 FMS-80-2000 LD EXC
 FMS-80-2000 LD1 EXC

FMS-40-400 LD-F
 FMS-40-400 LD1-F
 FMS-40-450 LD1-F
 FMS-60-450 LD-F
 FMS-60-450 LD1-F
 FMS-60-700 LD-F

MS-30-24 DALI-2 LI
 MS-60-24 DALI-2 LI

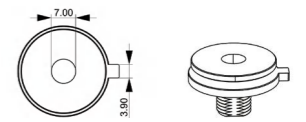
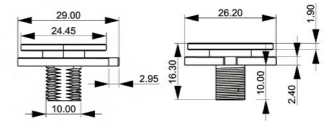


Product Code	Description
132021T0141-2	Side cap (grey)

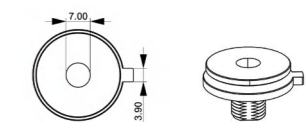
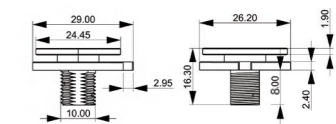
Nipples

Suitable for

Suitable all Eaglerise Track Driver of Intelligent Series and Four Phases Series



135053T0008



135053T0008-1

Product Code	Description
135053T0008	Zinc alloy, grey Size: M10*10
135053T0008-1	Zinc alloy, grey Size: M10*8

APP

Suitable for

FMS-35-350 N-S DALI-2 LN
 FMS-75-600 N-S DALI-2 LN
 FMS-100-700 N-S DALI-2 LN
 FMS-150-800 N-S DALI-2 LN
 FMS-35-350 N-S DALI-2 LN1
 FMS-100-700 N-S DALI-2 LN1
 FMS-75-500 N-S DALI-2 LN EXC
 FMS-150-1200 N-S DALI-2 LN EXC

FMS-75-600 N-S DALI-2 LN1
 FMS-35-350 N-S DALI-2 LN EXC
 FMS-100-1050 N-S DALI-2 LN EXC
 FMS-35-350 N-S LN
 FMS-75-600 N-S LN
 FMS-100-700 N-S LN
 FMS-150-800 N-S LN

Android



IOS

